

NOTE

- * CONCRETE STRENGTH TO BE 25MPa AT 28 DAYS
- * REINF. GRADE TO BE 300 - 300MPa
- * ALL FOOTING TO BE IN 300 MIN INTO SOLID SOAPSTONE OR UNDISTURBED CLAY SOIL
- * ALL BLOCKWALL CAVITY WITH STEEL TO BE FULLY GROUTED
- * GROUND FLOOR TO BE 300 MIN ABOVE THE HEIGHT POINT

Pacific Building Design

BUILDING DESIGN & 3D WORKS STRUCTURAL CONSULTATION
/ BUILDING SERVICES PROJECT MANAGEMENT
Phone: 0755 831579
Email: info@pacificbuilding.com
Office: Suva & Serua

GENERAL NOTES:
1. COPYRIGHT in all drawings, specifications and other documents and in the work executed hereon remains the property of Pacific Building Design.
2. DIMENSIONS: Confirm all dimensions and profiles with Architectural drawings. Do not scale the drawings. If unsure about anything please ask the Architect for clarification.

CLIENT: **MIOM KOICA** UN MIGRATION

PROJECT TITLE: **National Disaster Management Office**

STRUCTURE'S CHECKING & SIGNING DETAILNESS BY:
Kishore Sanjay Ram of STRUCT ENGINEERS (FIJI) PTE LTD
Chartered & Registered Professional Engineer -
Civil & Structural & Environment (Singapore & New Zealand)
B. Tech Civil & Environmental Engg. - Fiji, NZ, ENG, APPEC Engineer,
MICHAEL CHENG, VERIFIED ENGINEER (MBA), MPE, MASE, MASEC, MASC & QUILTE
SIGN: *[Signature]* DATE: 19/02/24

PROJECT: **ROKOUVA MULTIPURPOSE EVACUATION CENTRE**

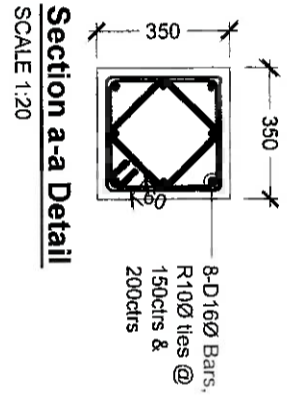
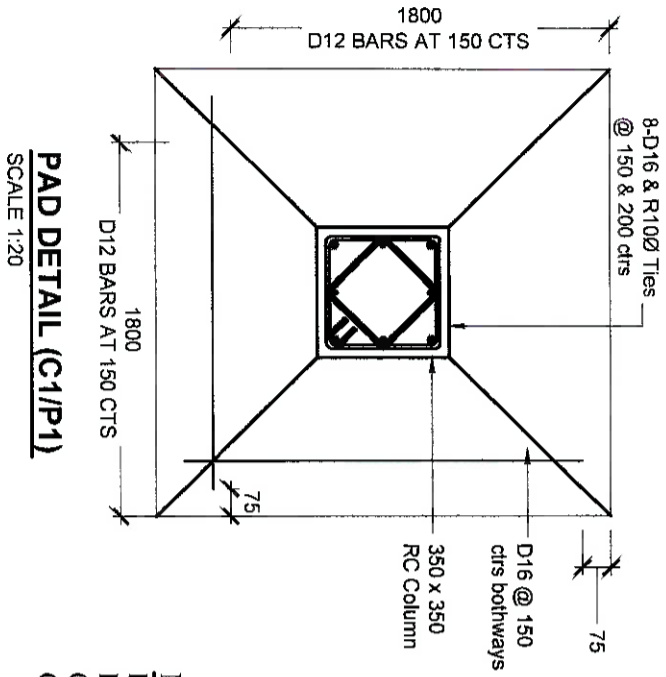
SCALE: AS SHOWN
DATE: 01-10-2023
SHEET NO: DWG-S02
REVISION: REV-NO

DRAWN BY: Colin A
PROJECT NO: 0273-23

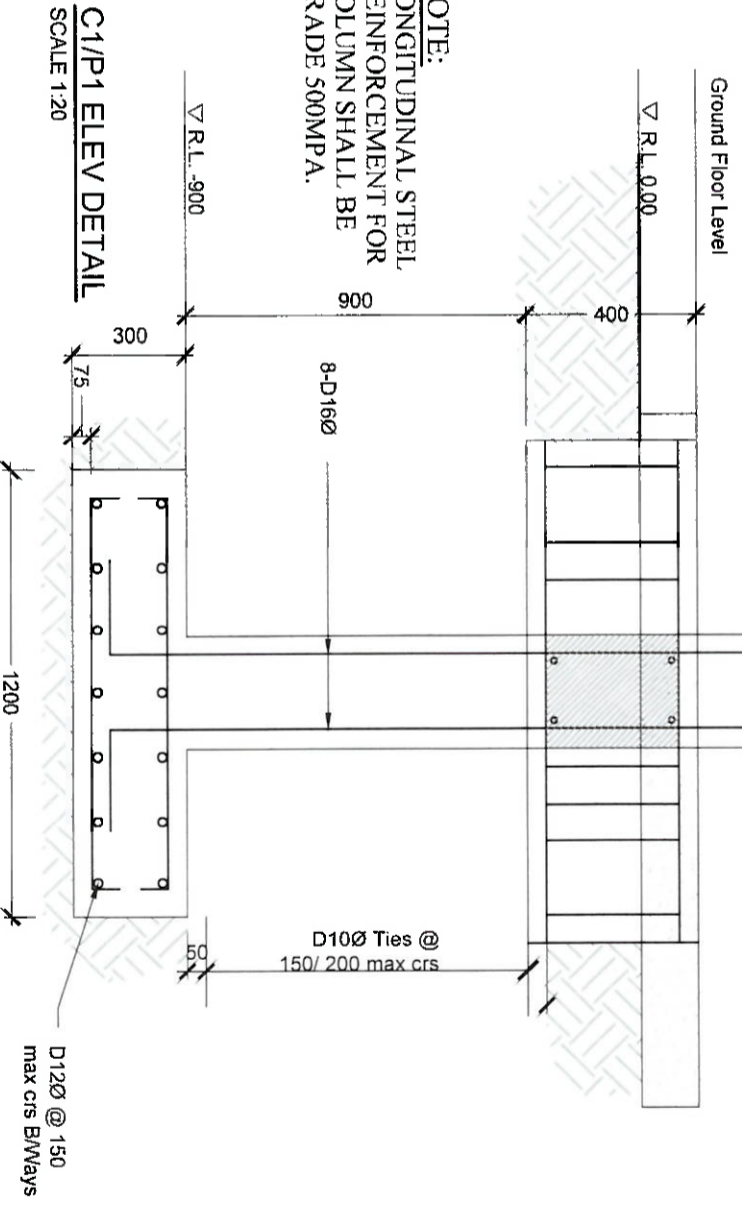
STRUCTURAL

01 FLOOR PLAN
 Scale 1:100@A3

GENERAL NOTES:
 1. COPYRIGHT in all drawings, specifications and other documents and in the work executed hereon remains the property of PBD/PCA
 BUILDING DESIGN
 2. DIMENSIONS: Confirm all dimensions and profiles with Architectural drawings. Do not use the drawings if unsure about anything please ask the Architect for clarification.



NOTE:
 LONGITUDINAL STEEL REINFORCEMENT FOR COLUMN SHALL BE GRADE: 500MPA.



CLIENT: **MIOM KOICA** **UN MIGRATION** **National Disaster Management Office**

Structures Checked for Safety & Soundness by:
Krishneel Sanjay Ram of ISOTECT ENGINEERS (FIJI) PTE LTD
 Chartered & Registered Professional Engineer -
 Civil & Structural & Environment (Fiji, Australia & New Zealand)
 B. Tech Civil - India, Dip. In Civil Engg. - Fiji (ENGINEERING INDEPENDENT / APED Engineer,
 MEMBER OF Eng. NEA, NCE, Engineer (Independent), AMIE, MNSCE, MNSCE, MNSCE & CIVILCE

SIGNATURE: *[Signature]* DATE: 19/02/24

FOUNDATION DETAIL

SCALE: SCALE
 DATE: DATE
 SHEET NO: DWG-S04
 DRAWN BY: DRAWN
 PROJECT NO: 0273/23
 REVISION NO: REV-NO



1 ROOF BEAM PLAN
SCALE: 1:100

Structures Checked for Safety & Soundness by:
 Krishneel Sanjay Ram of ISO/ECT ENGINEERS (PVT) LTD
 Chartered & Registered Professional Engineer -
 Civil & Structural & Enrolment (Fiji, Australia & New Zealand)
 B. Tech Civil - Anna Univ. All India Engineering Institute / APJC Engineer,
 MICHAEL CHENG, MPE, MBE, Engineer (Mechanical), MPE, MASC, MISCPE, MISCPE & MISCPE
 SIGNED: *[Signature]* DATE: 19/02/24

GENERAL NOTES:
 1. Check all drawings, specifications and other documents and in the work issued from them remains the property of PACIFIKA BUILDING DESIGN.

2. DIMENSIONS: Confirm all dimensions and profiles with Architectural drawings. Do not scale the drawings. If unsure about anything please ask the Architect for clarification.

CLIENT:



SHEET TITLE:

ROOF BEAM FRAMING PLAN

PROJECT:

ROKOWUAKA MULTIPURPOSE EVACUATION CENTRE

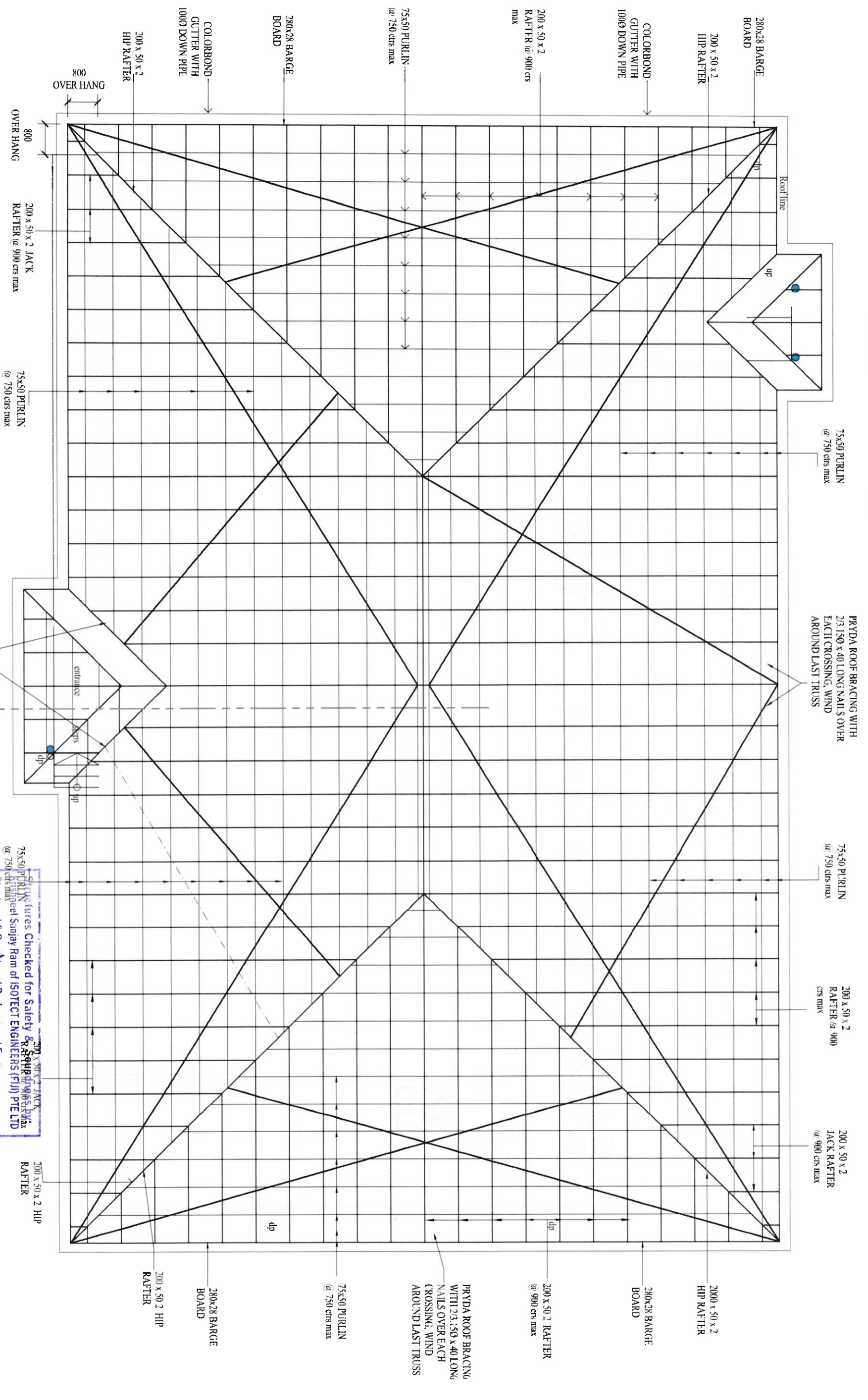
DESCRIPTION:

STRUCTURAL

SCALE: AS SHOWN
 DATE: 01-10-2023
 SHEET NO: DWG-S06
 DRAWN BY: CAHA A
 PROJECT NO: 0273/23
 REVISED: REV-NO

PROJECT:

ALL MEASUREMENTS IN MILLIMETERS. R- RESIDENTIAL, C- COMMERCIAL, I- INDUSTRIAL, M- MECHANICAL



1 ROOF FRAMING PLAN
 SCALE: 1:100

GENERAL NOTES:
 1. COPYRIGHT in all drawings, specifications and other documents and in the work executed thereon remains the property of PBD/PCA
 2. DIMENSIONS: Confirm all dimensions and profiles with Architectural drawings. Do not scale the drawings if unsure about anything please ask the Architect for clarification.

CLIENT: **UN MIGRATION**
KOICA
 National Disaster Management Office

SHEET TITLE: **ROOF FRAMING PLAN**

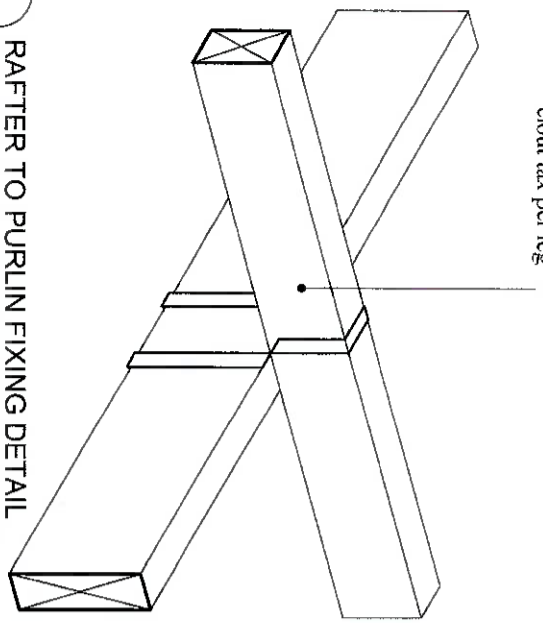
PROJECT: **ROKOVUAKA MULTIPURPOSE EVACUATION CENTRE**

Structures Checked for Safety & Approved by
 Assigned Sanjay Ram of ISOTECT ENGINEERS (FIJ) PTE LTD
 Chartered & Registered Professional Engineer -
 Civil & Structural & Environment (Fiji, Australia & New Zealand)
 B. Tech Civil, India, Dip. in Engng. (Fiji), CHALLENGE CP&E (IMPVNZ) / APEC Engineer,
 THE EAST OCEAN NEW ZEALAND ENGINEERING (NZ) MBE, MASCCE, MASCCE, MASCCE & MASCCE

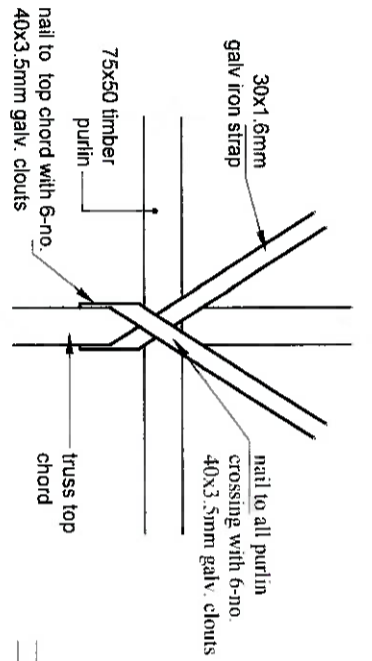
SIGN: *[Signature]* DATE: 14/02/24

SCALE: AS SHOWN
 DATE: 01/10/2023
 SHEET NO: **DWG-S07**
 DRAWN BY: **CAIN A**
 PROJECT NO: 0273-23
 REVISION: **REV-NO**

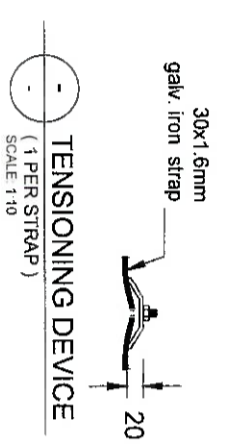
75x50 purlins on edge @ 750 ctrs strapped to 200x50 rafters at 900 ctrs with "pryda" 32x1.2 galvanised strapping with 4-3.14 clout tax per leg



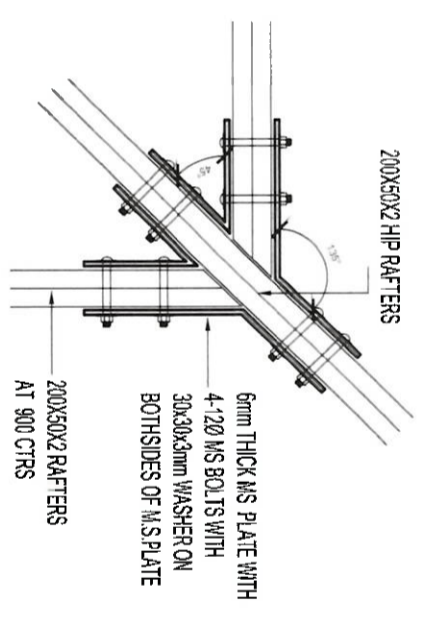
RAFTER TO PURLIN FIXING DETAIL
TYPICAL CROSS SECTION
SCALE: 1:10



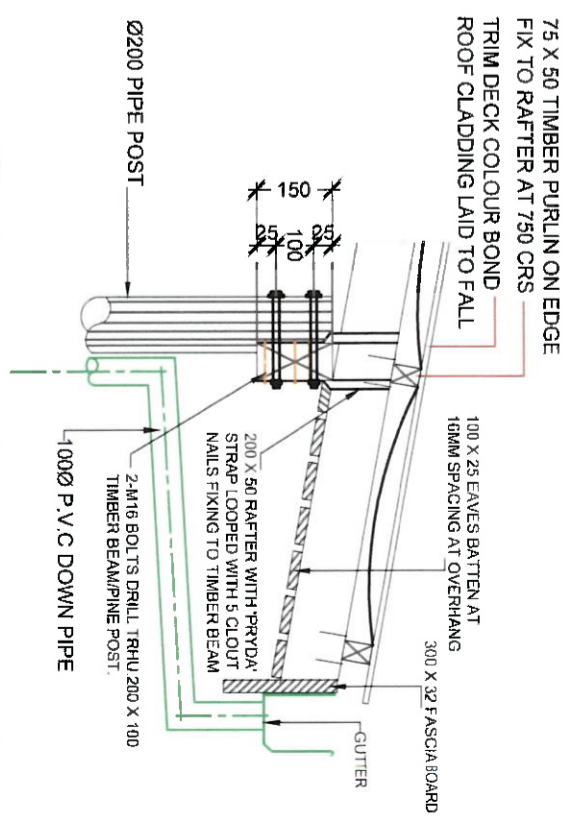
STRAPPING DETAIL
SCALE: 1:10



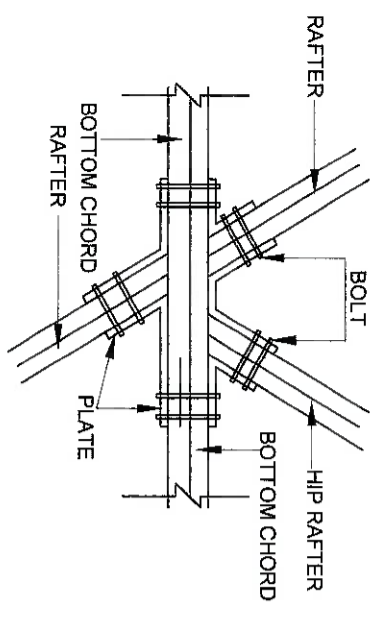
TENSIONING DEVICE
(1 PER STRAP)
SCALE: 1:10



RAFTER TO HIP RAFTER FIXING DETAIL
SCALE: 1:10

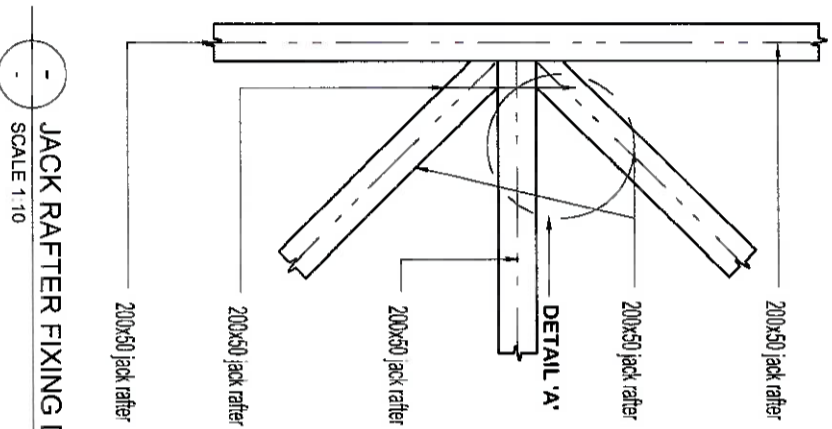


TIMBER BEAM FIXING AT TERRACE
SCALE: 1:20

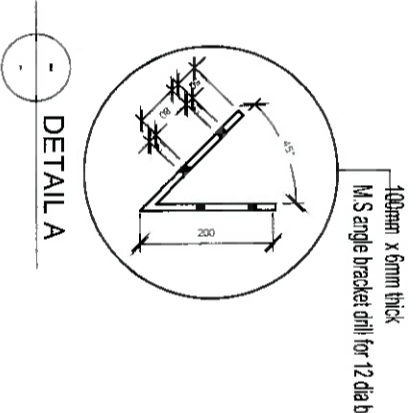


TRUSS TO HIP RAFTER CONNECTION
SCALE: 1:20 (ITEM 2)

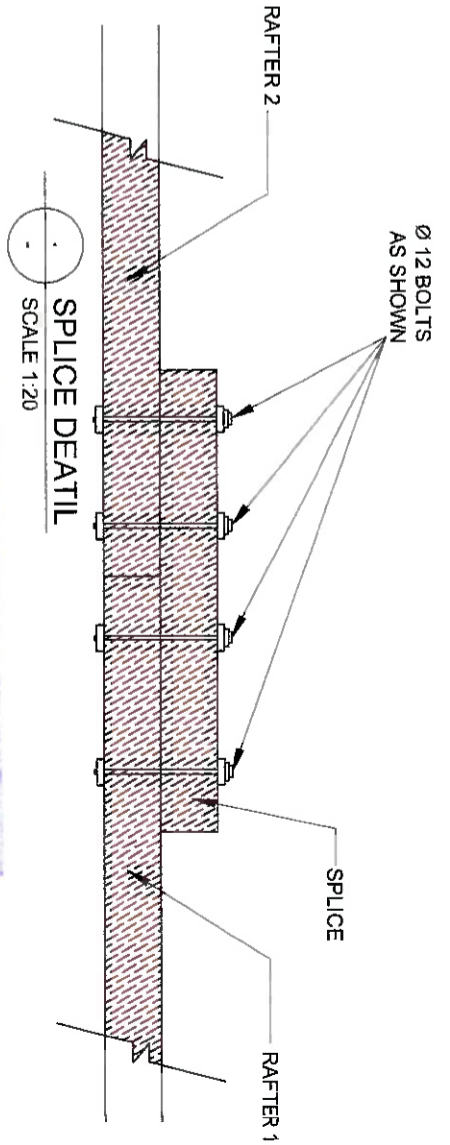
- NOTES**
- 1) ALL TIMBER SHALL BE F11 FRAMING GRADE.
 - 2) ALL PRYDA NAIL PLATES TO BE EQUALLY PLACED ABOUT JOINTS.
 - 3) PRYDA NAIL PLATES SHALL ONLY BE DRIVEN INTO CLEAR DEFECT FREE TIMBER.
 - 4) PRYDA NAIL PLATE MUST BE LOCATED IN SHELTERED NON-CORROSIVE POSITIONS ONLY.
 - 5) PRYDA NAIL PLATES MUST NOT BE EXPOSED TO SALT WATER.
 - 6) PRYDA NAIL PLATES TO BE FIXED ON BOTH SIDES OF TRUSS.



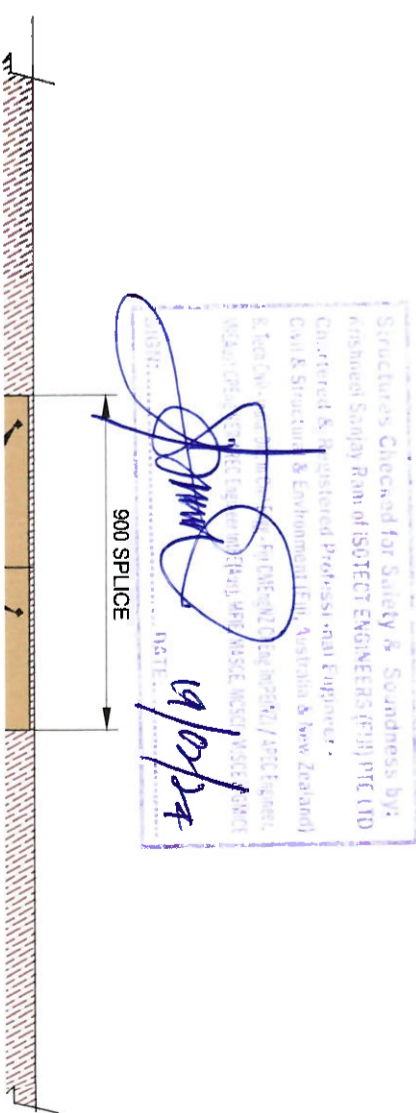
JACK RAFTER FIXING DETAIL
SCALE: 1:10



DETAIL A



SPICE DEATIL
SCALE: 1:20



900 SPICE

Structures Checked for Safety & Soundness by:
 Registered Company Ram of ISO/ECT ENGINEERS (Pty) LTD
 Chartered & Registered Professional Engineers
 Civil & Structural & Environmental (Vic, Australia & New Zealand)
 15/07/24
 19/07/24



BUILDING DESIGN & 2D WORKS / STRUCTURAL CONSULTATION
 BUILDING SERVICES / PROJECT MANAGEMENT
 Phone: 07(0) 837579
 Email: info@pacifika.com
 Office: Suva & Suvaevu

CLIENT: **MIOM KOICA** UN MIGRATION
 National Disaster Management Office

SHEET TITLE: **ROOF DETAIL**

PROJECT: **ROKOVUJAMA MULTI-PURPOSE EVACUATION CENTRE**

SCALE: AS SHOWN
 DATE: 01.10.2023
 SHEET NO: DWG-S09
 DRAWN BY: CARLA
 PROJECT NO: 0273-23
 REV-NO

STRUCTURAL

