


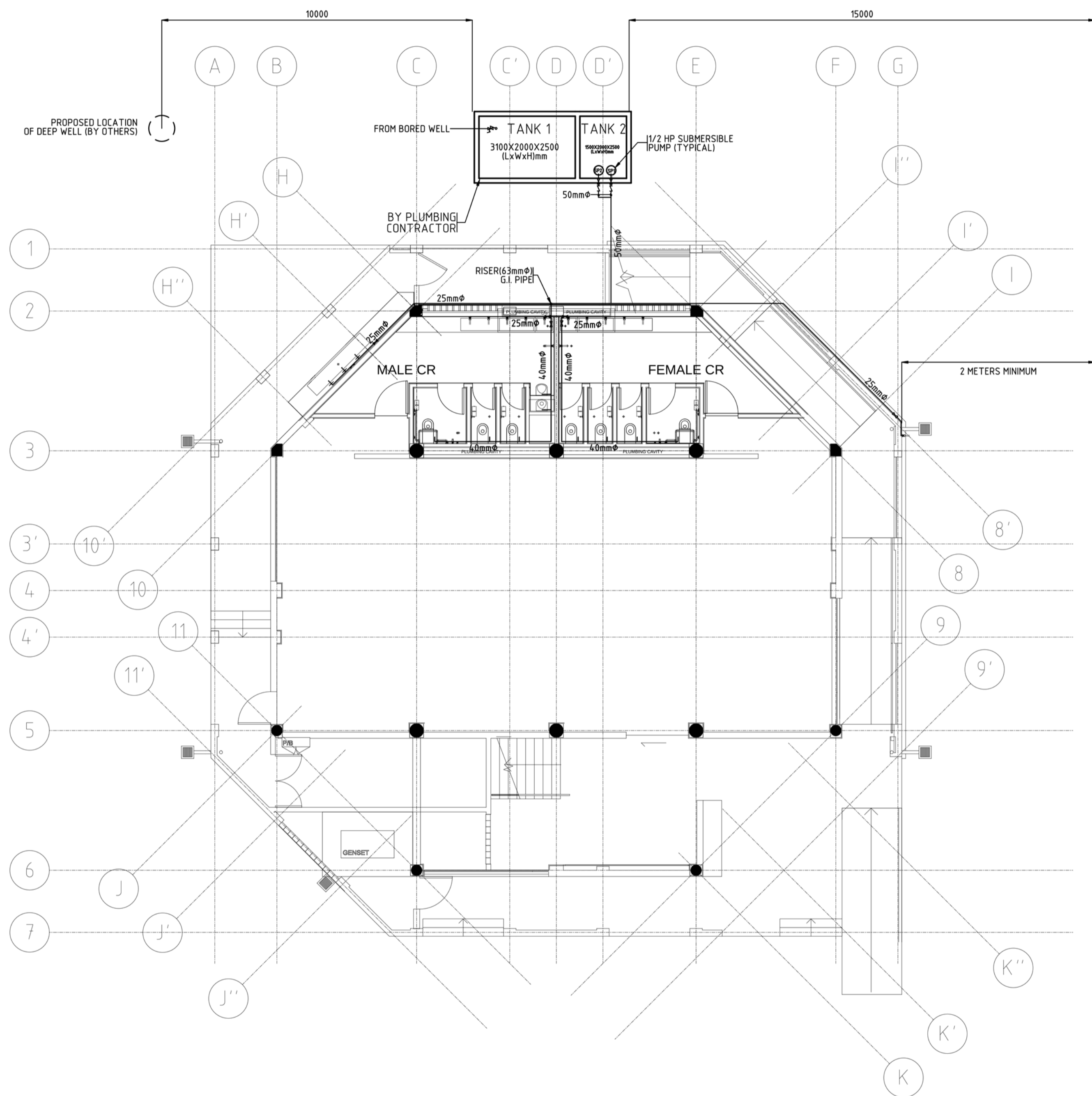


GENERAL NOTE:
 FINAL LOCATION OF WATER TANK AND SEPTIC TANK TO BE CONFIRMED ON SITE WITH CITY ENGINEERING DEPARTMENT AND IN COORDINATION WITH EXISTING UTILITY CONNECTIONS

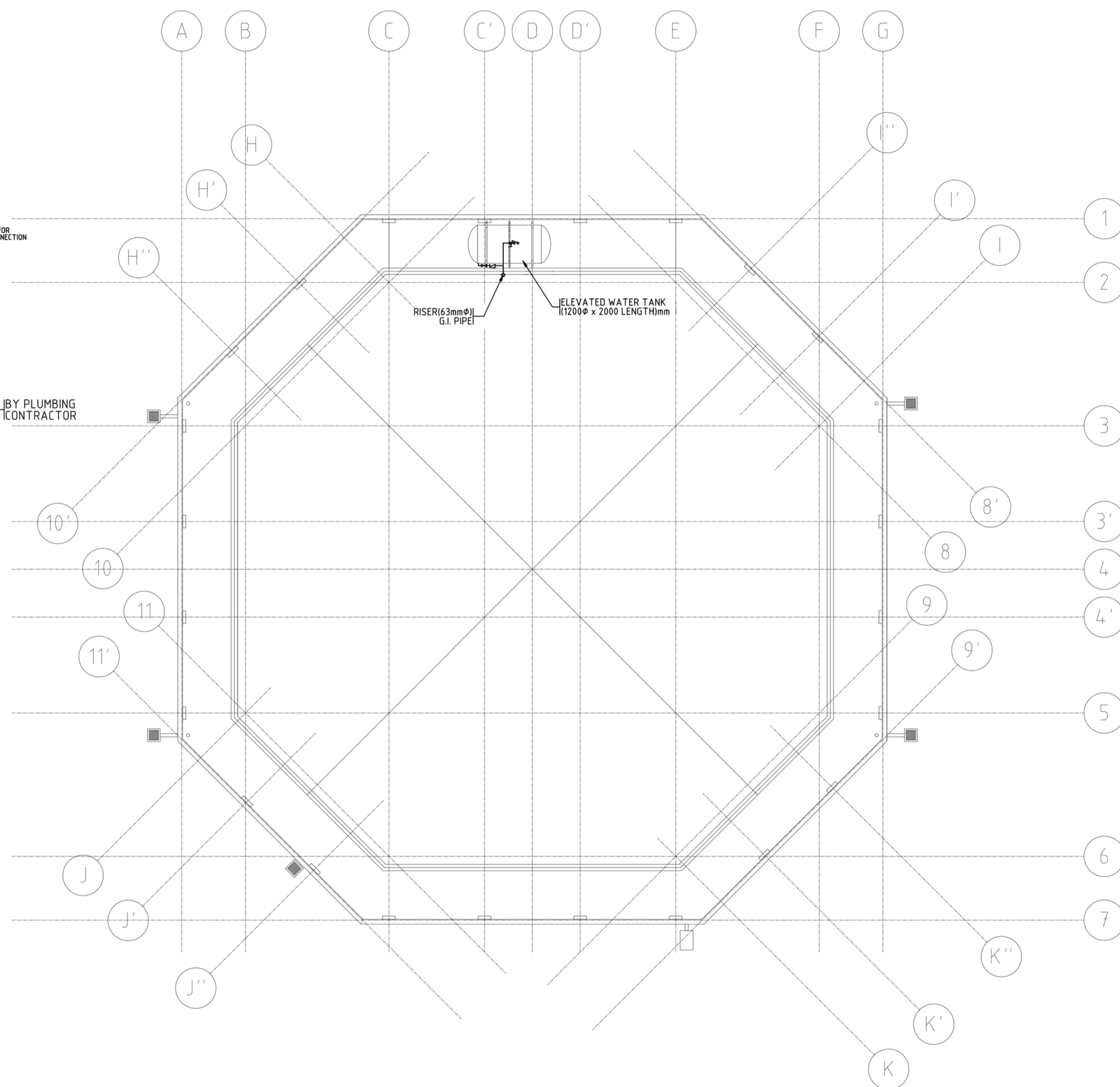
 RNFA RN FERRER & ASSOCIATES, Inc. PASIG, METRO MANILA TEL. NO. 631-1541 TO 42	ARCHITECT / ENGINEER : ANGEL F. GONZALES SANITARY ENGINEER		PROJECT / LOCATION : MULTI-PURPOSE CENTER CITY OF BORONGAN, EASTERN SAMAR		OWNER :  IOM/UNICEF		NO. REVISIONS ISSUED FOR BIDDING		DATE 23SEP15	BY JZR	NO. REVISIONS DATE BY		SHEET CONTENT SITE DEVELOPMENT PLAN		SHEET NO. E P02
	PRC Reg. No. 0000822	PTR No. 091723 C	Place of Issue : Quezon City Date of Issue : Feb. 17, 2015				CHECKED APPROVED		AFG AFG	DRAWN DATE	JZR 07SEP15	FILENAME 2K1404A-P02	PROJ. NO. 2K1404A	SHEET NO. 2K1404A	

NOTES:

1. PROVIDE MINIMUM DISTANCE OF 15 METERS BETWEEN SEPTIC TANK (LEACHING PIT) AND GROUND WATER SOURCE.
2. THE SEPTIC TANK MAY BE LOCATED CLOSER TO THE BUILDING IT SERVE PROVIDING A MINIMUM DISTANCE OF 2 METERS FROM THE OUTSIDE WALL.
3. GROUND SURFACE FROM BORED WELL TO SEPTIC TANK (LEACHING PIT) SHOULD SLOPE DOWNWARD.
4. SIZE AND DEPTH OF BORED WELL CASING, AS WELL AS THE SPECIFICATION FOR THE DEEP WELL PUMP SHALL BE DETERMINED BY THE ACTUAL CONDITION OF SOIL AND GROUND WATER AVAILABLE AT THE AREA.



1 GROUND FLOOR WATER SUPPLY SYSTEM LAYOUT
SCALE: 1:100



2 ELEVATED TANK LAYOUT
SCALE: 1:100



ARCHITECT / ENGINEER :
ANGEL F. GONZALES
SANITARY ENGINEER
PRC Reg. No. 0000822 PTR No. 091723 C Place of Issue : Quezon City Date of Issue : Feb. 17, 2015

PROJECT / LOCATION :
MULTI-PURPOSE CENTER
CITY OF BORONGAN, EASTERN SAMAR

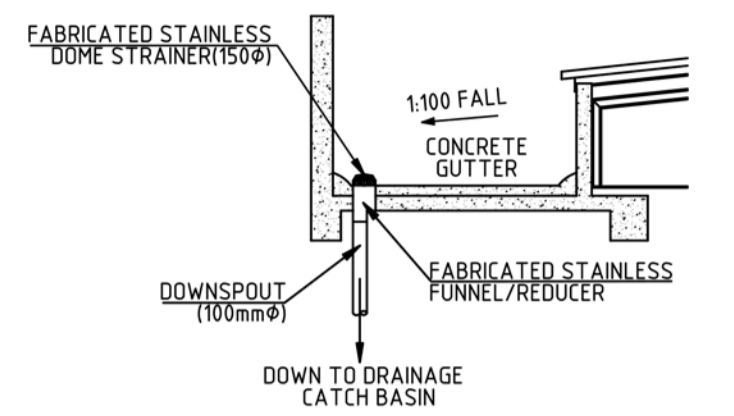


NO.	REVISIONS	DATE	BY	NO.	REVISIONS	DATE	BY
1	ISSUED FOR BIDDING	23SEP15	JZR				

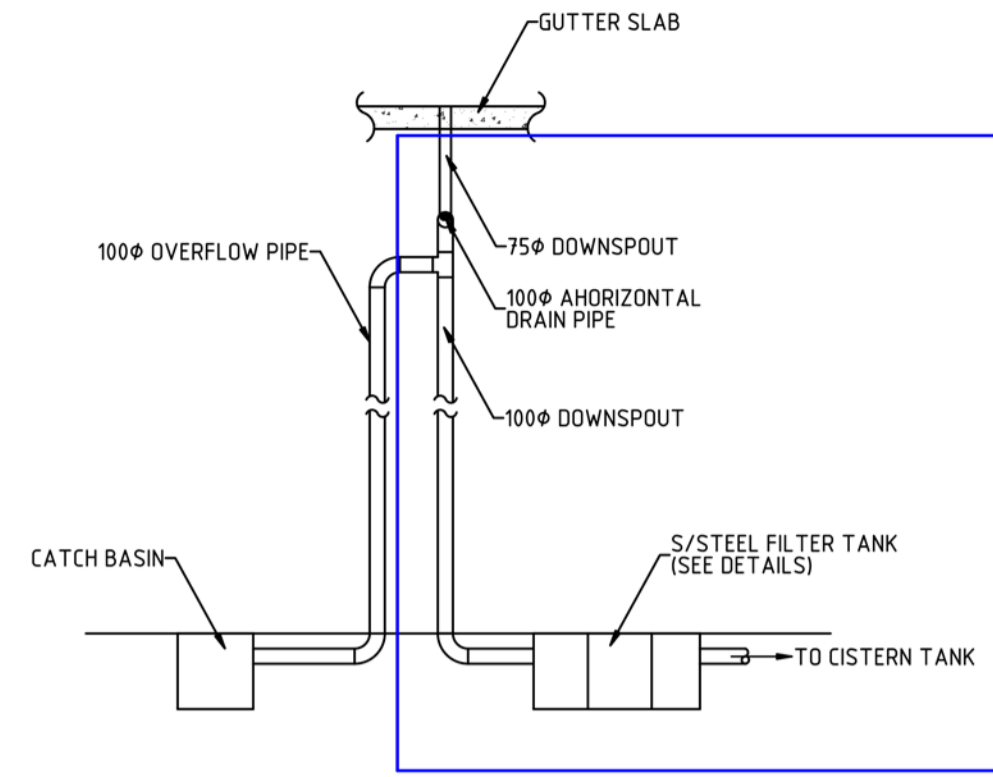
SHEET CONTENT					SHEET NO.
GROUND FLOOR WATER SUPPLY SYSTEM LAYOUT AND ELEVATED TANK LAYOUT					E P03
CHECKED	AFG	DRAWN	JZR	FILENAME	PROJ. NO.
APPROVED	AFG	DATE	07SEP15	2K1404A-P03	2K1404A

NOTES:

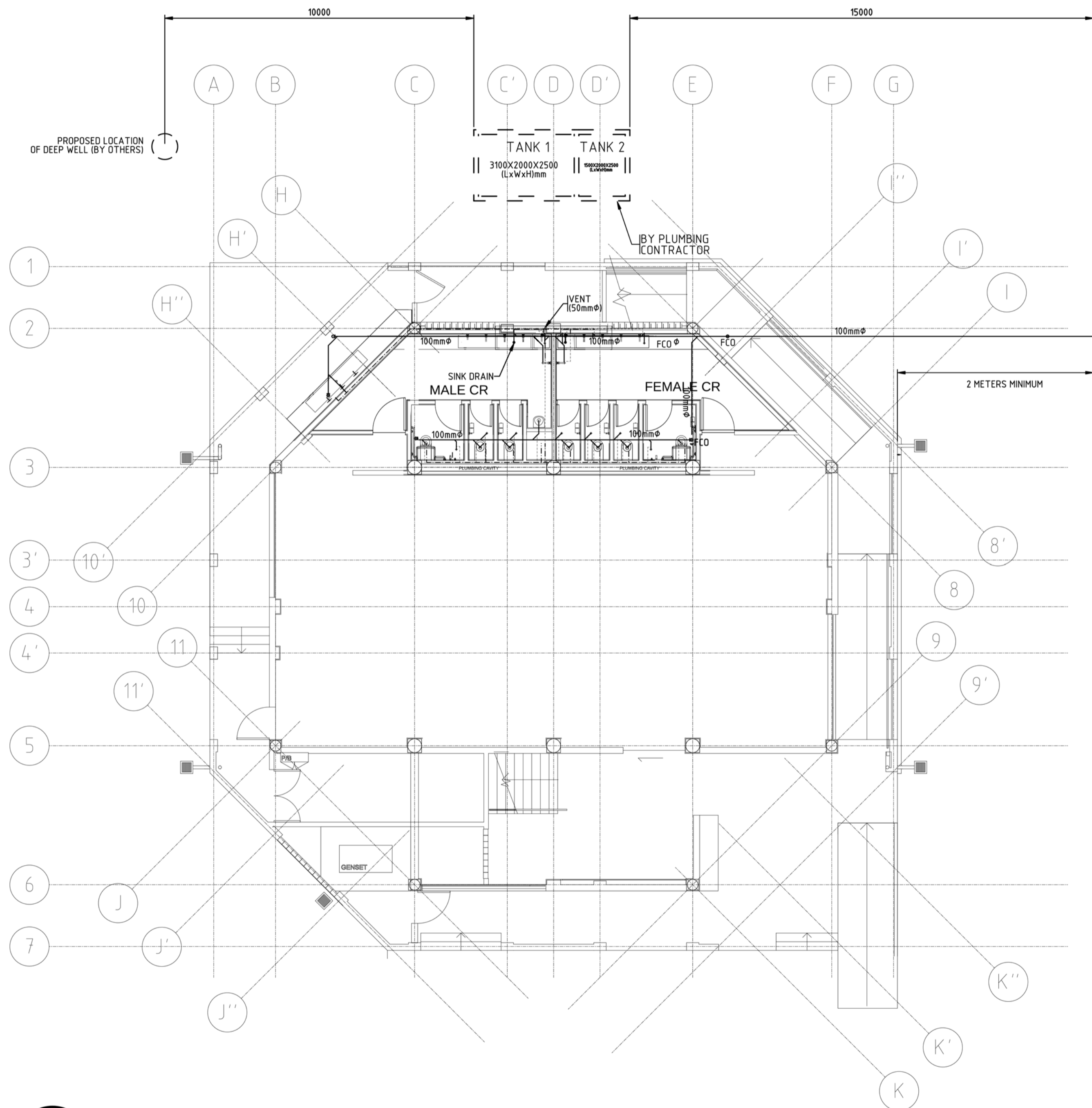
1. PROVIDE MINIMUM DISTANCE OF 15 METERS BETWEEN SEPTIC TANK (LEACHING PIT) AND GROUND WATER SOURCE.
2. GROUND SURFACE FROM BORED WELL TO SEPTIC TANK (LEACHING PIT) SHOULD SLOPE DOWNWARD.
3. THE SEPTIC TANK MAY BE LOCATED CLOSER TO THE BUILDING IT SERVE PROVIDING A MINIMUM DISTANCE OF 2 METERS FROM THE OUTSIDE WALL.



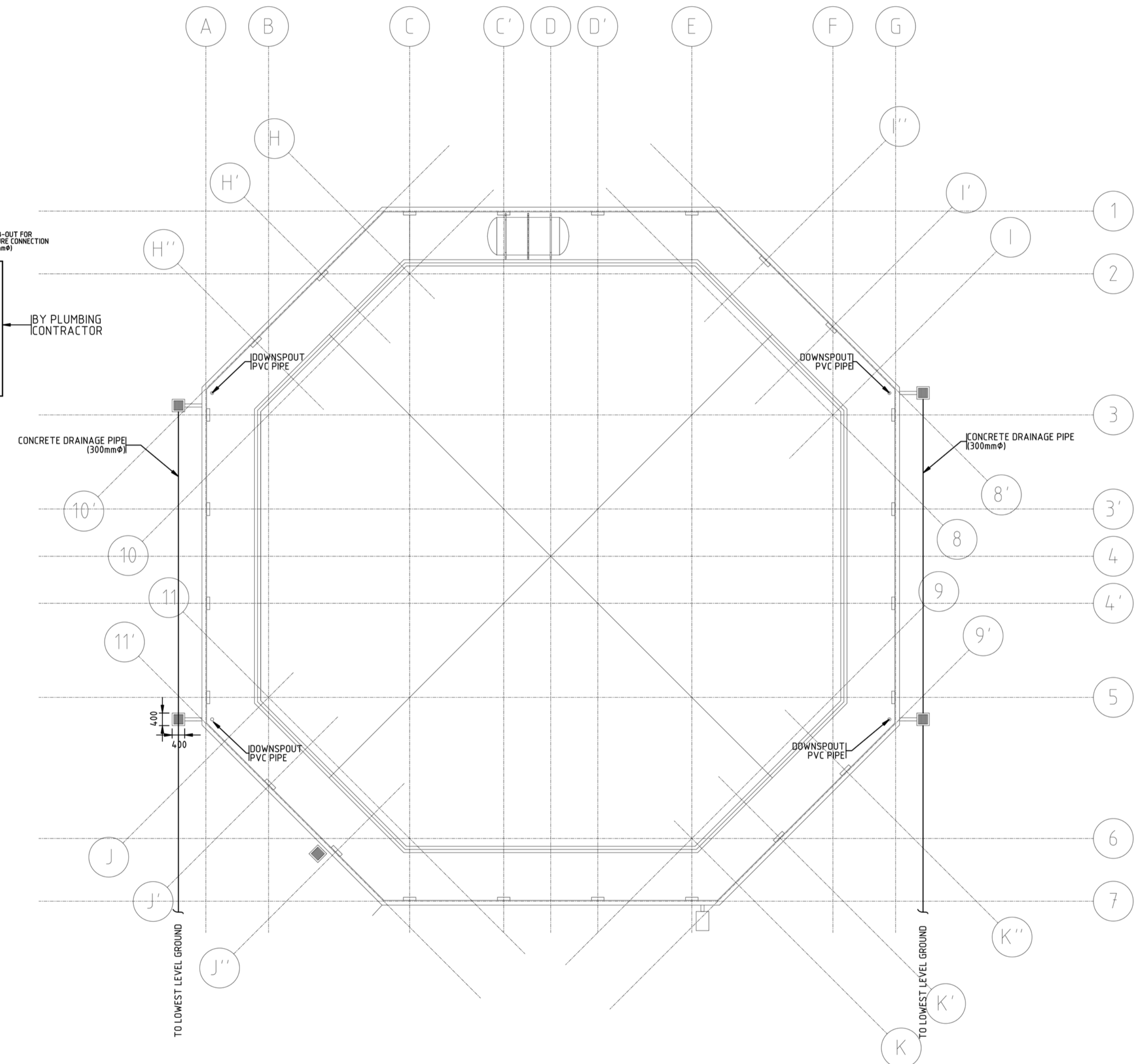
3 DOWNSPOUT DETAILS
SCALE: 1:50



DESIGN OPTION A:
FILTRATION SYSTEM TO BE QUOTED SEPERATELY AS AN OPTIONAL ITEM



1 GROUND FLOOR SANITARY AND DRAINAGE LAYOUT
SCALE: 1:100



2 STORM DRAINAGE LAYOUT
SCALE: 1:100



ARCHITECT / ENGINEER :		
ANGEL F. GONZALES SANITARY ENGINEER		
PRC Reg. No. 0000822	PTR No. 0917223 C	Place of Issue : Quezon City Date of Issue : Feb. 17, 2015

PROJECT / LOCATION :	MULTI-PURPOSE CENTER CITY OF BORONGAN, EASTERN SAMAR
----------------------	---



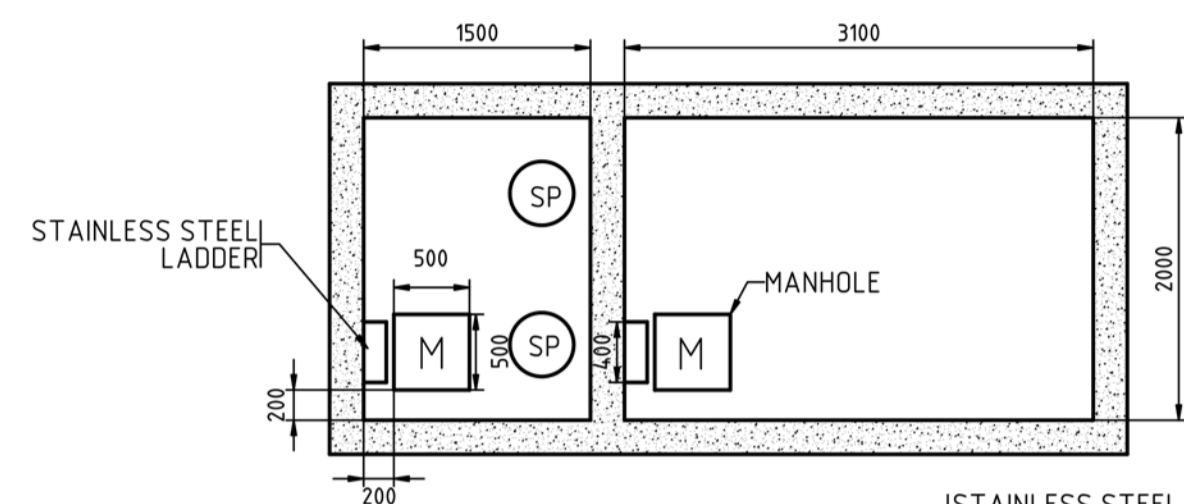
NO.	REVISIONS	DATE	BY	NO.	REVISIONS	DATE	BY	SHEET CONTENT	SHEET NO.
1	ISSUED FOR BIDDING	23SEP15	JZR					GROUND FLOOR SANITARY AND DRAINAGE AND STORM DRAINAGE LAYOUT	E P04
CHECKED AFG DRAWN JZR FILENAME 2K1404A-P04								PROJ. NO.	2K1404A
APPROVED AFG DATE 07SEP15									

NOTE:

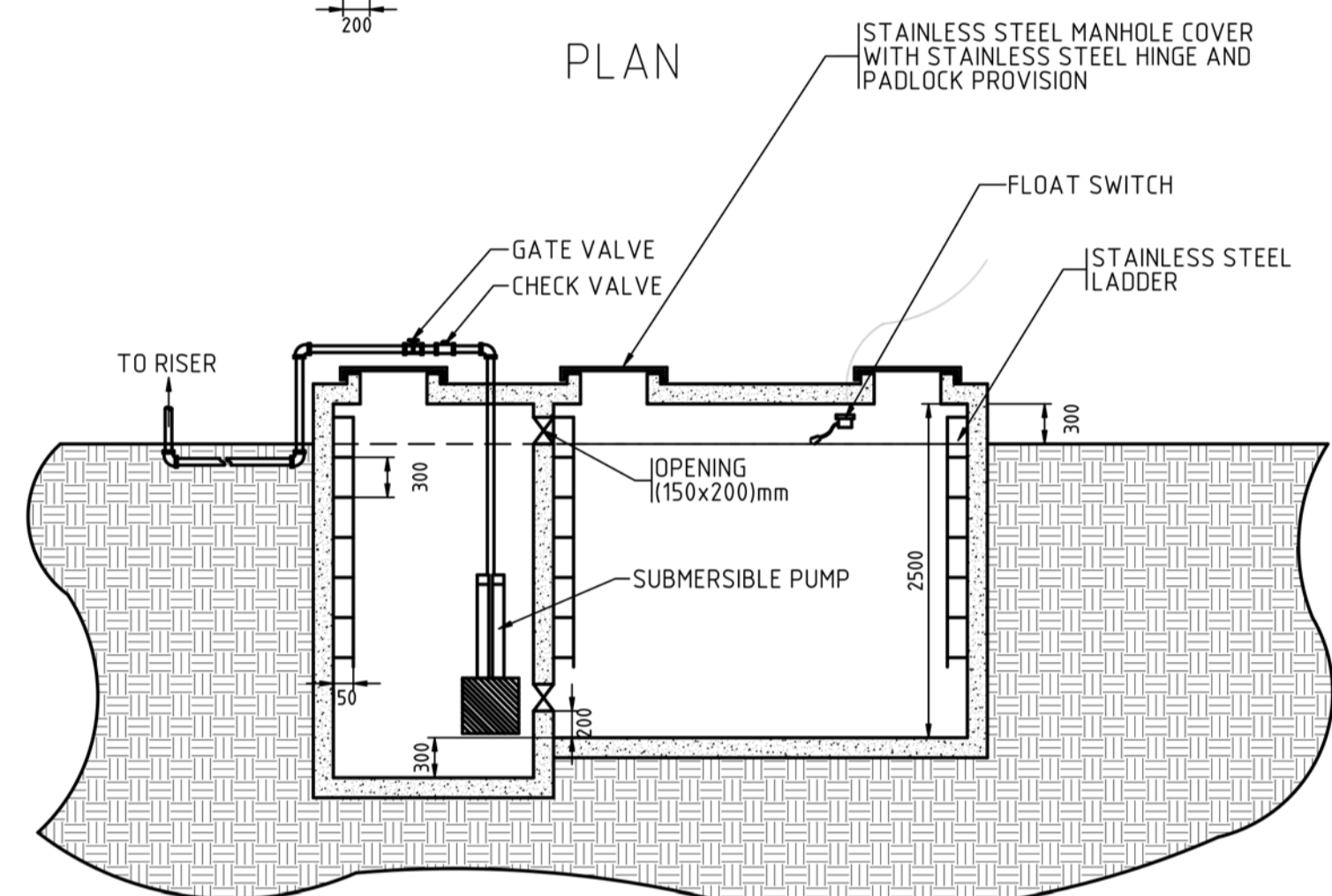
WATER STORAGE TANKS SHALL BE WATERTIGHT WITH SMOOTH, INTERIOR FINISH. CONCRETE TANKS SHALL BE CONSTRUCTED IN ACCORDANCE WITH ASTM SPECIFICATIONS C913. ALL JOINTS, CONNECTIONS AND OTHER SEAMS BETWEEN SURFACES SHALL BE SEALED WITH NON-TOXIC WATERPROOFING MATERIAL THAT MEET NSF STANDARD 61 OR EQUIVALENT TO PREVENT LOSS OF STORED WATER AND THE INFILTRATION OF SURFACE OR GROUND WATER.

CISTERN STRUCTURAL DETAILS

	CONCRETE(3000psi)	REBARS(Grade 40)
	THICKNESS (mm)	
WALL	150	1 - 12mm ϕ @ 0.20 O.C VERTICAL AND HORIZONTAL
FLOOR	200	125
TOP SLAB	150	12mm ϕ @ 0.15 O.C. BENT UP, ONE WAY DESIGN WITH 10mm TEMPERATURE BARS ALONG LONG SPAN

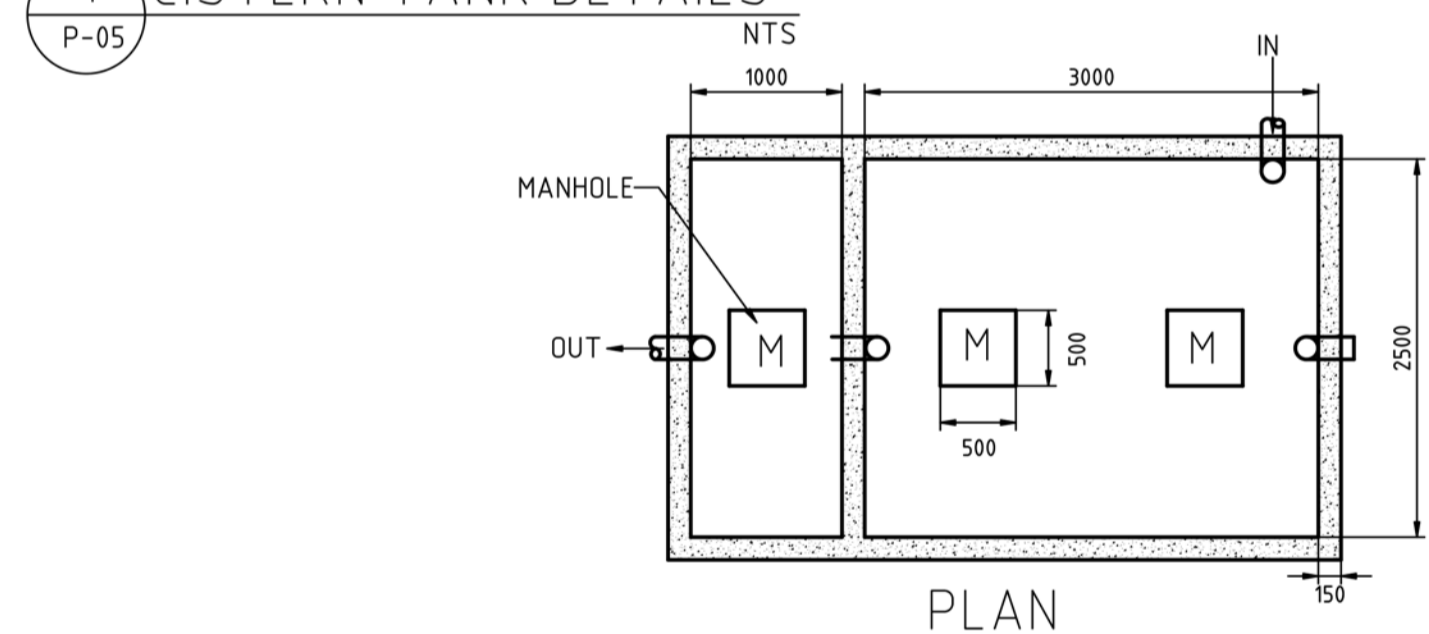


PLAN

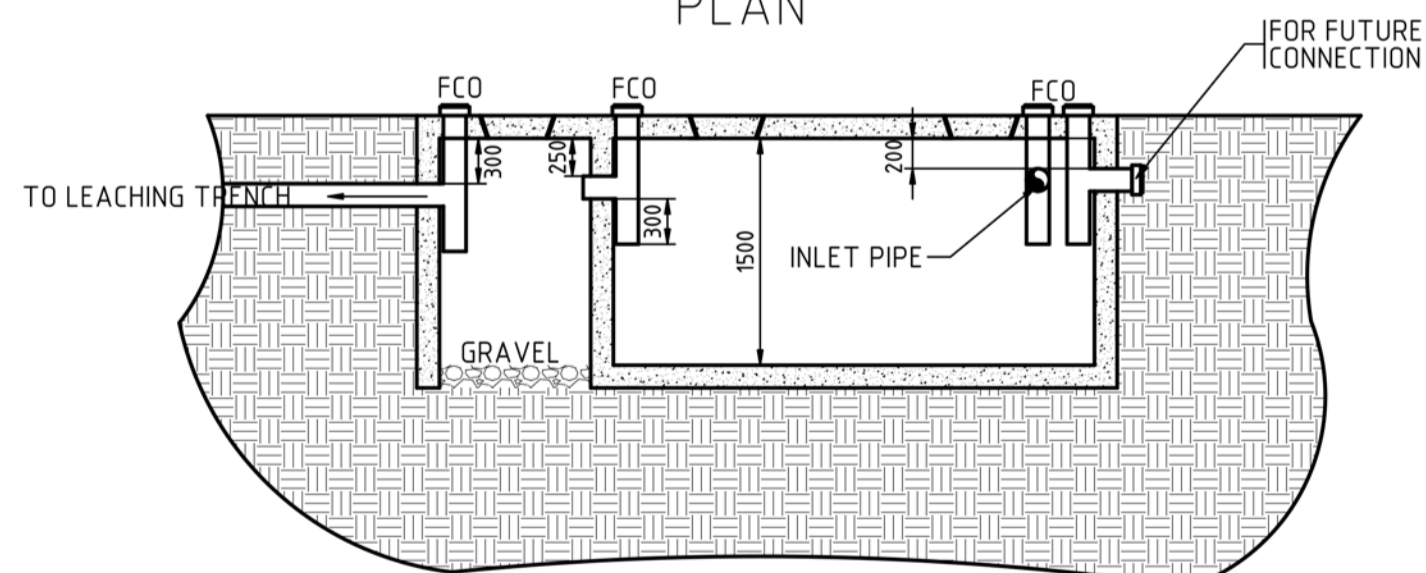


SECTION

1 CISTERN TANK DETAILS

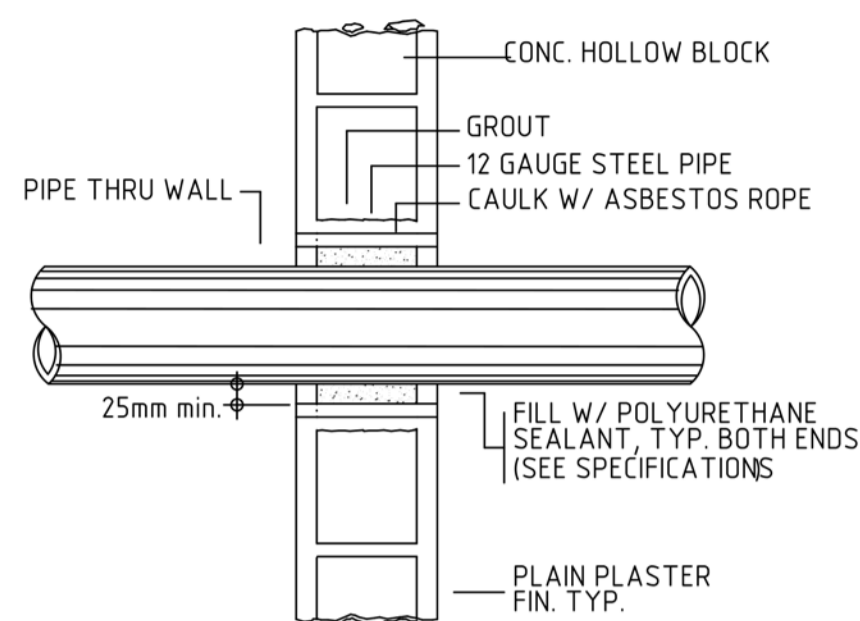


PLAN

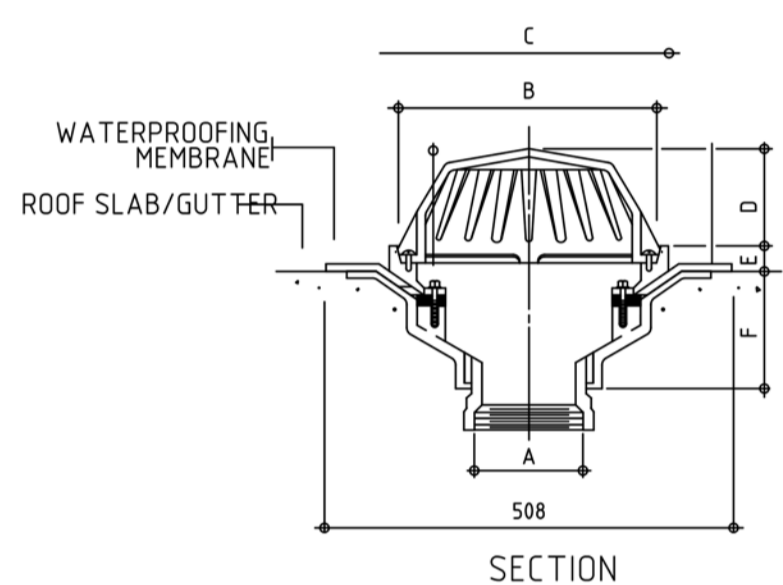


SECTION

2 SEPTIC TANK DETAILS



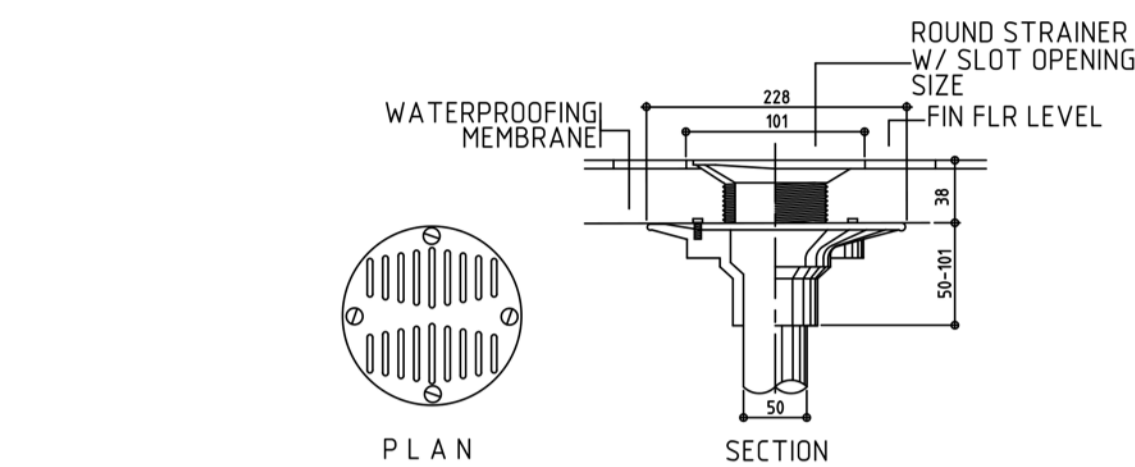
3 STEEL PIPE SLEEVE THRU CHB WALL



SECTION

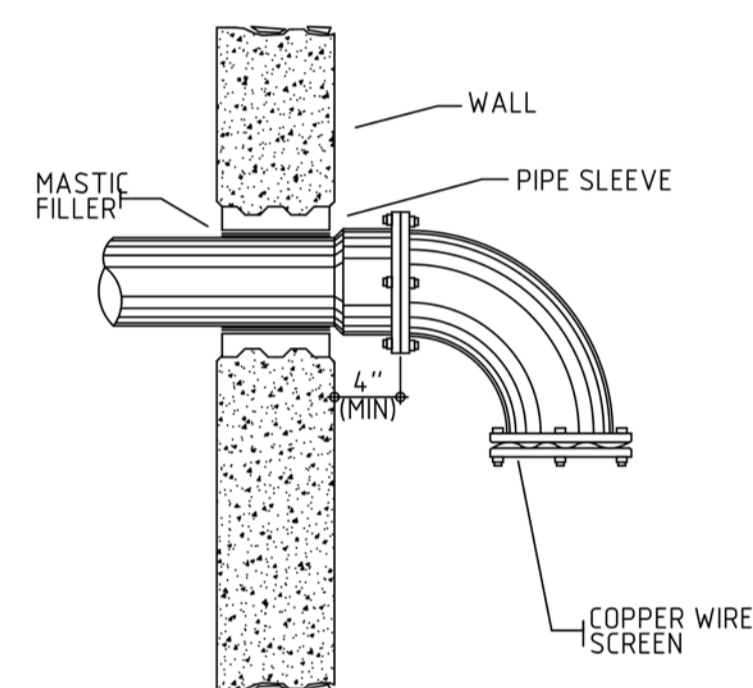
PIPE SIZES	DIMENSIONS IN MILLIMETERS					
"A" INCHES	B	C	D	E	F	
50 (2")	203	301	98	42	105	
75 (3")	203	301	98	42	105	
100 (4")	203	301	98	42	105	

6 DECK DRAIN DETAIL (DOME TYPE)

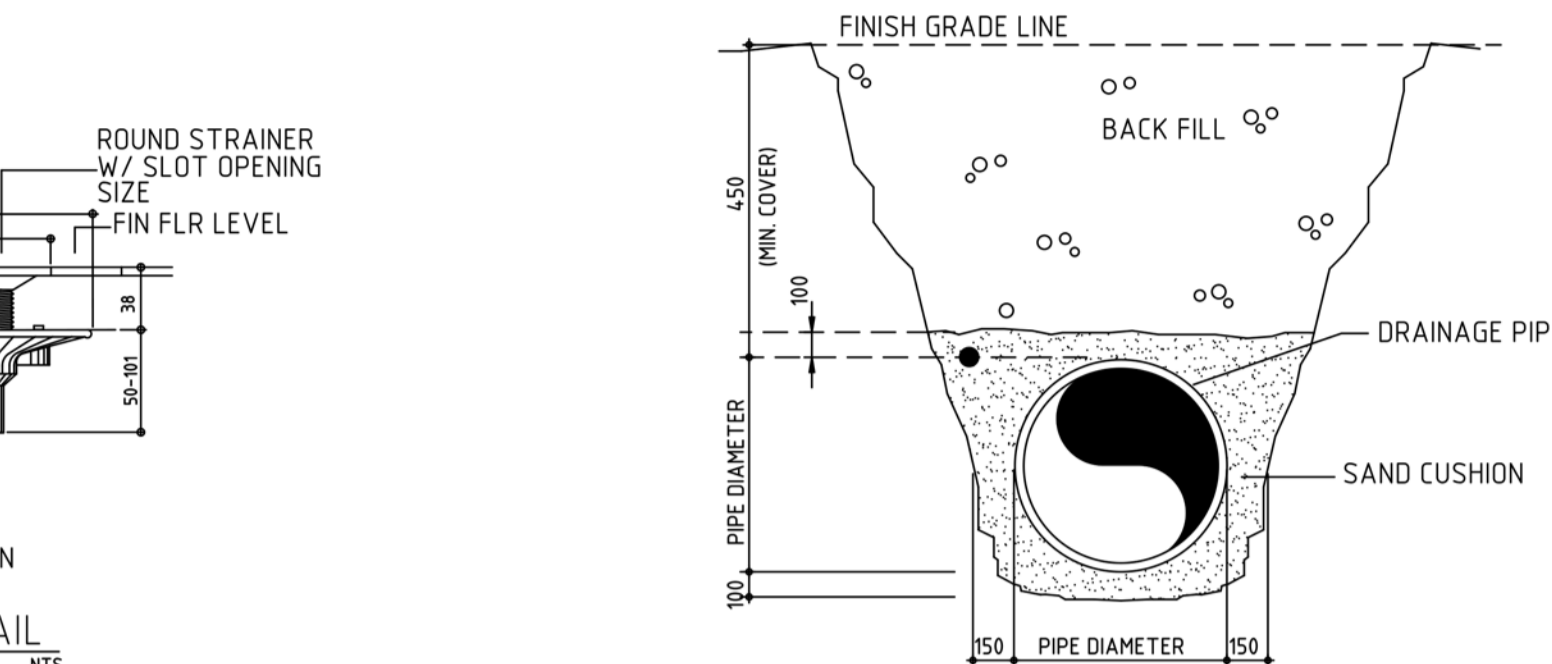


SECTION

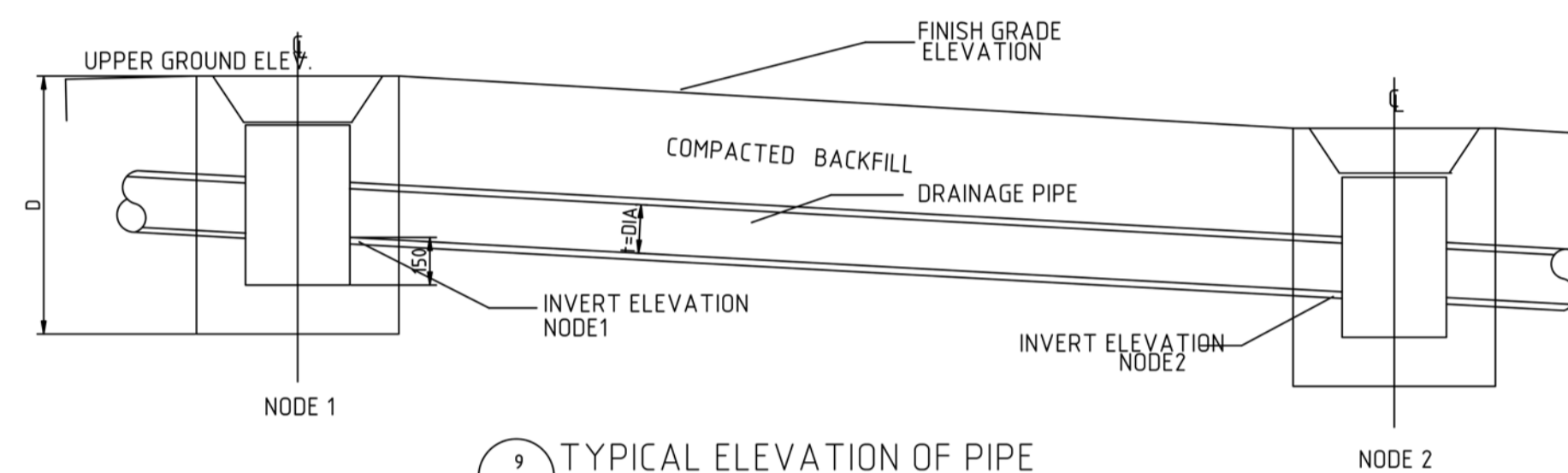
4 FLOOR DRAIN DETAIL



7 WALL VENT DETAIL

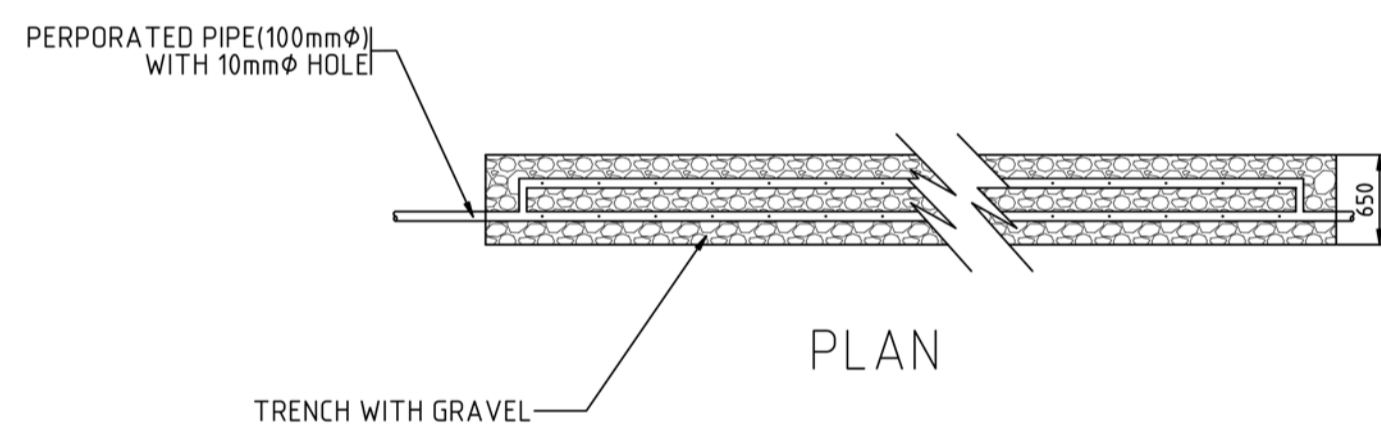


5 DETAIL OF DRAINAGE PIPE EXCAVATION (SHOWING DRAINAGE PIPE BED)

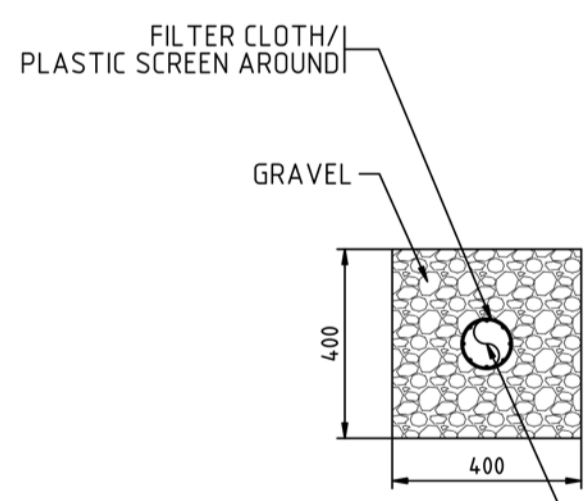


9 TYPICAL ELEVATION OF PIPE

DESIGN OPTION A:
FILTRATION SYSTEM TO BE QUOTED SEPARATELY AS AN OPTIONAL ITEM

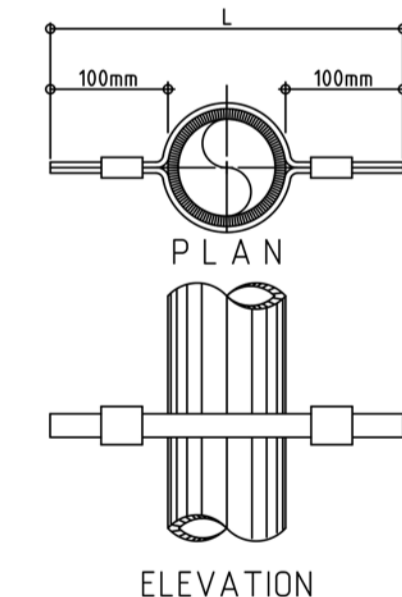


PLAN



SECTION

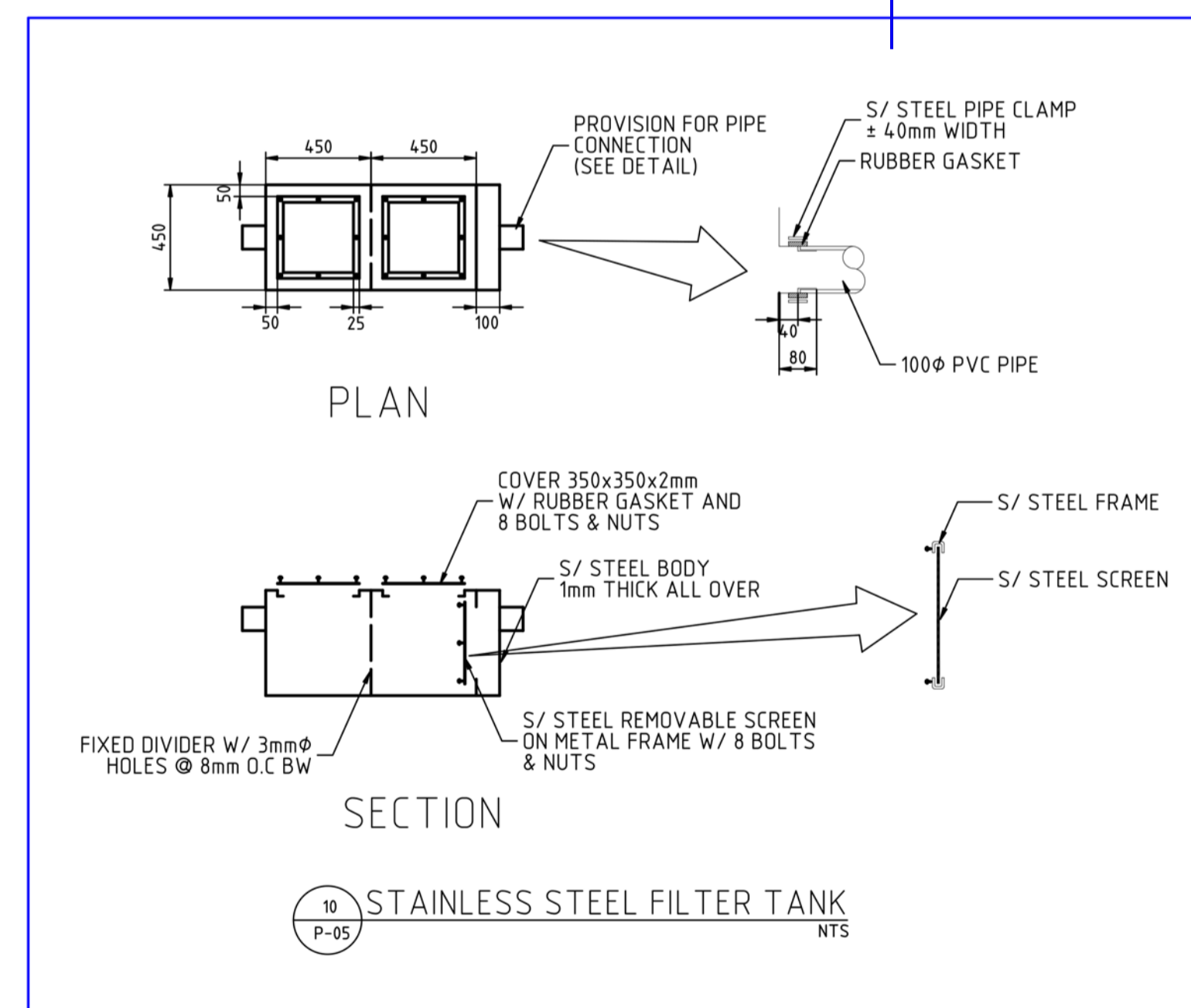
10 LEACHING TRENCH



ELEVATION

PIPE SIZE in MM	L in MM	SIZE STOCK in MM
32	219	6 x 32
50	270	6 x 32
65	264	6 x 32
75	286	6 x 32
90	VARIES	6 x 32
100	VARIES	6 x 40

8 RISER CLAMP DETAIL



PLAN

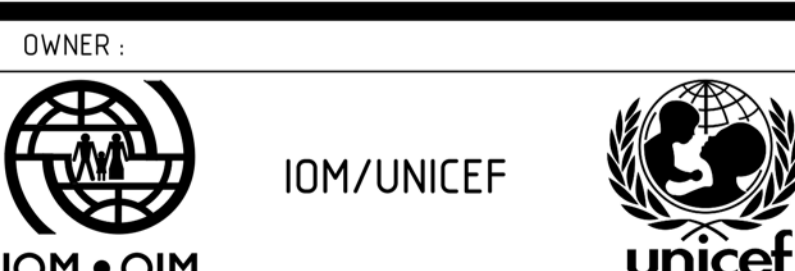
SECTION

10 STAINLESS STEEL FILTER TANK



ARCHITECT / ENGINEER :
ANGEL F. GONZALES
SANITARY ENGINEER
PRC Reg. No. 0000822 PTR No. 091723 C Place of Issue : Quezon City Date of Issue : Feb. 17, 2015

PROJECT / LOCATION :
MULTI-PURPOSE CENTER
CITY OF BORONGAN, EASTERN SAMAR



NO.	REVISIONS	DATE	BY	NO.	REVISIONS	DATE	BY	SHEET CONTENT
	ISSUED FOR BIDDING	23SEP15	JZR					

CISTERN AND SEPTIC TANK DETAILS AND MISCELLANEOUS DETAILS
E P05
CHECKED AFG DRAWN JZR FILENAME 2K1404A-P05 PROJ. NO. 2K1404A
APPROVED AFG DATE 07SEP15