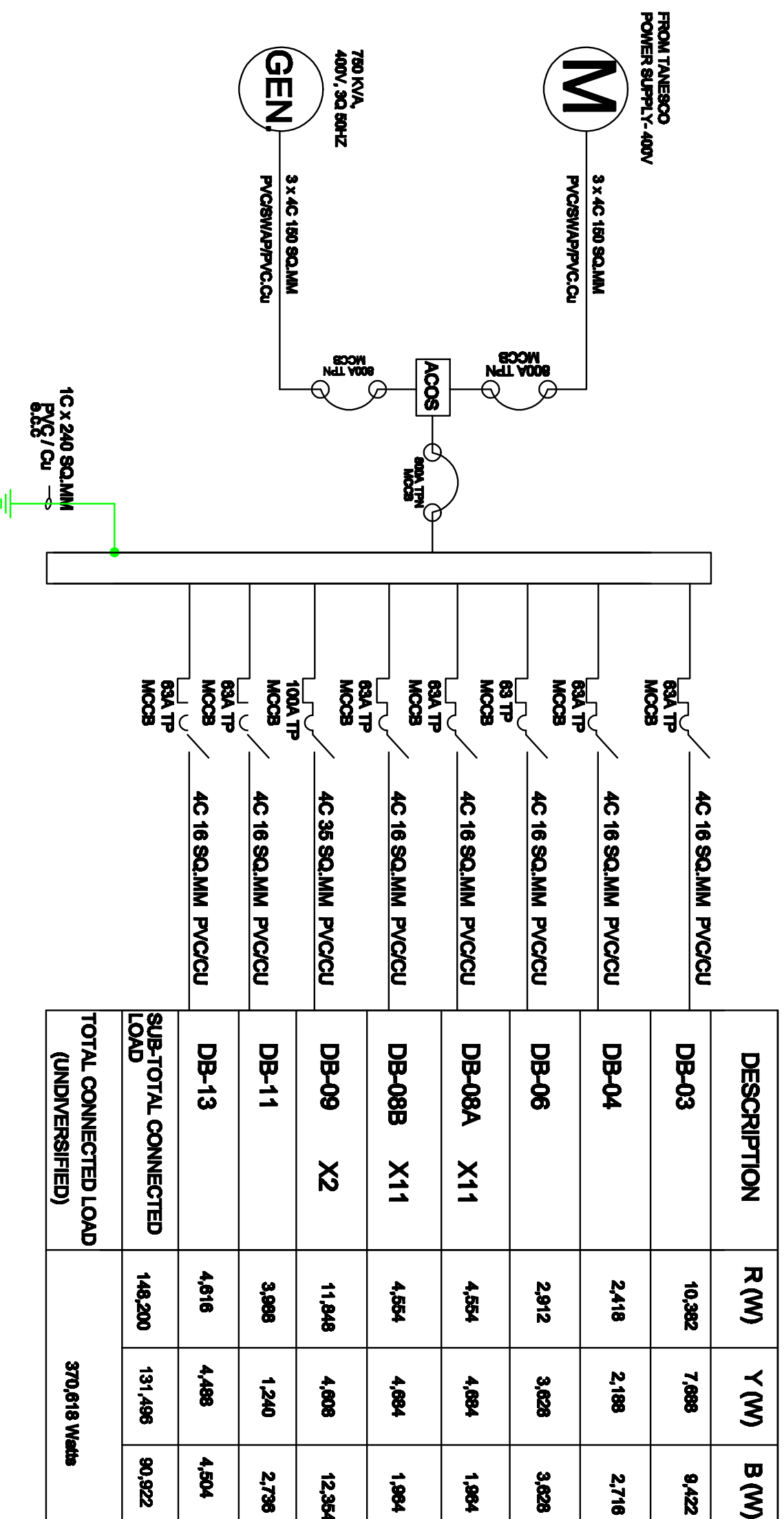


SECOND MAIN DISTRIBUTION LV PANEL BOARD (MDB-02)



SPECIFICATIONS:

PURPOSE - MADE FREE STANDING MAIN LV PANEL WITH INTEGRAL, AUTOMATIC CHANGE-OVER SWITCH AND MCCB'S AS SHOWN, TYPE SCHNEIDER ELECTRIC BLOCKSET.

General Notes

NOTES

Project
PROPOSED RESETTLEMENT
PROCESSING CENTRE TO
BE BUILT AT MAKERE,
KASULU DISTRICT IN
KIGOMA REGION

Client
INTERNATIONAL
ORGANIZATION
FOR MIGRATION

Service Engineers
AGRENBA CONSULTANTS
P.O. BOX 35168
DAR ES SALAAM

Designed by:

ENG. J.L. ELIAS

Drawing title

MDB-02-SCHEMATIC

Drawn A.R. F	Drawg. No. FAR/INR/EL/25
Date October, 2015	Sheet No. EL/46
Scale NTS	