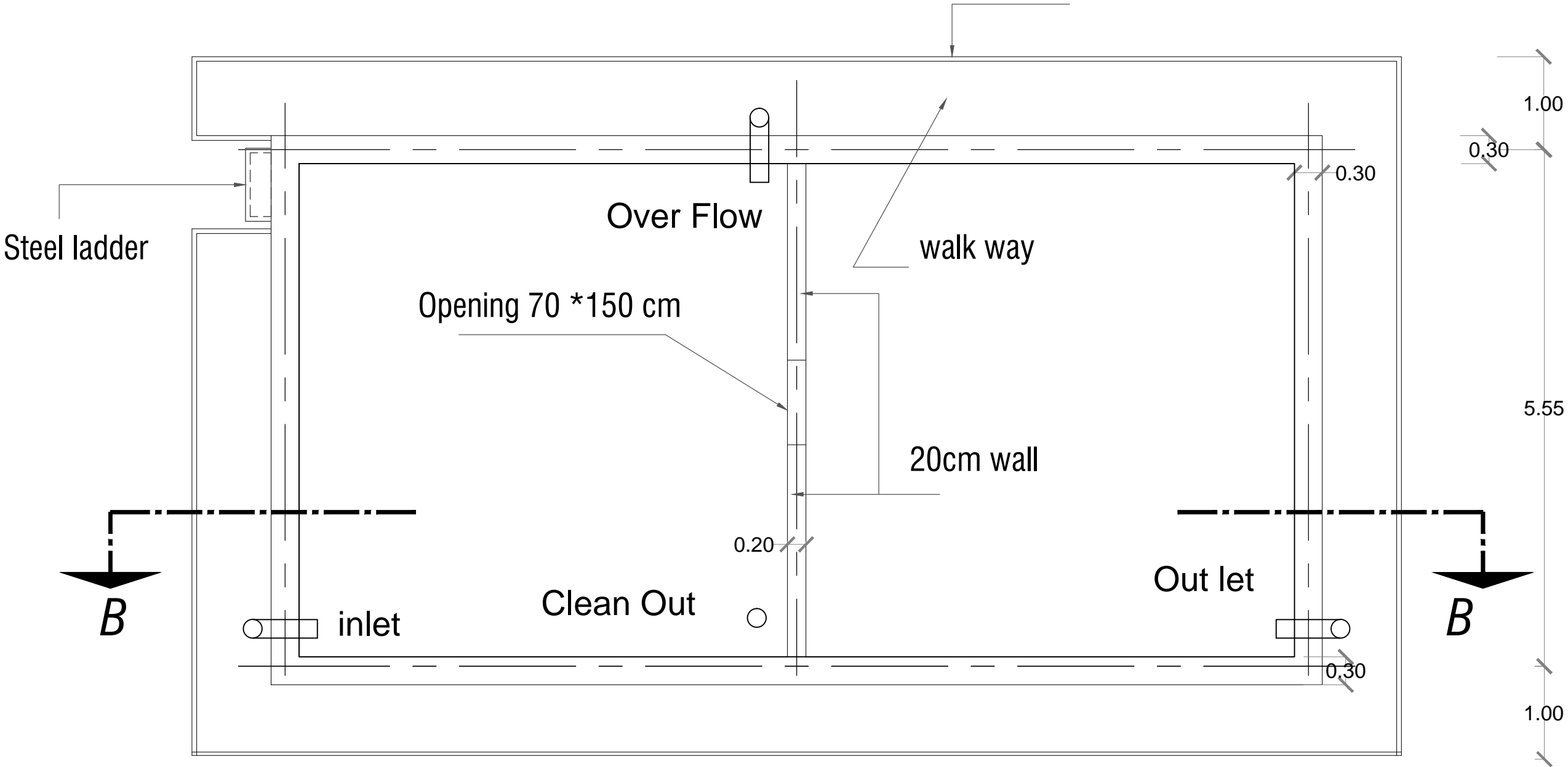


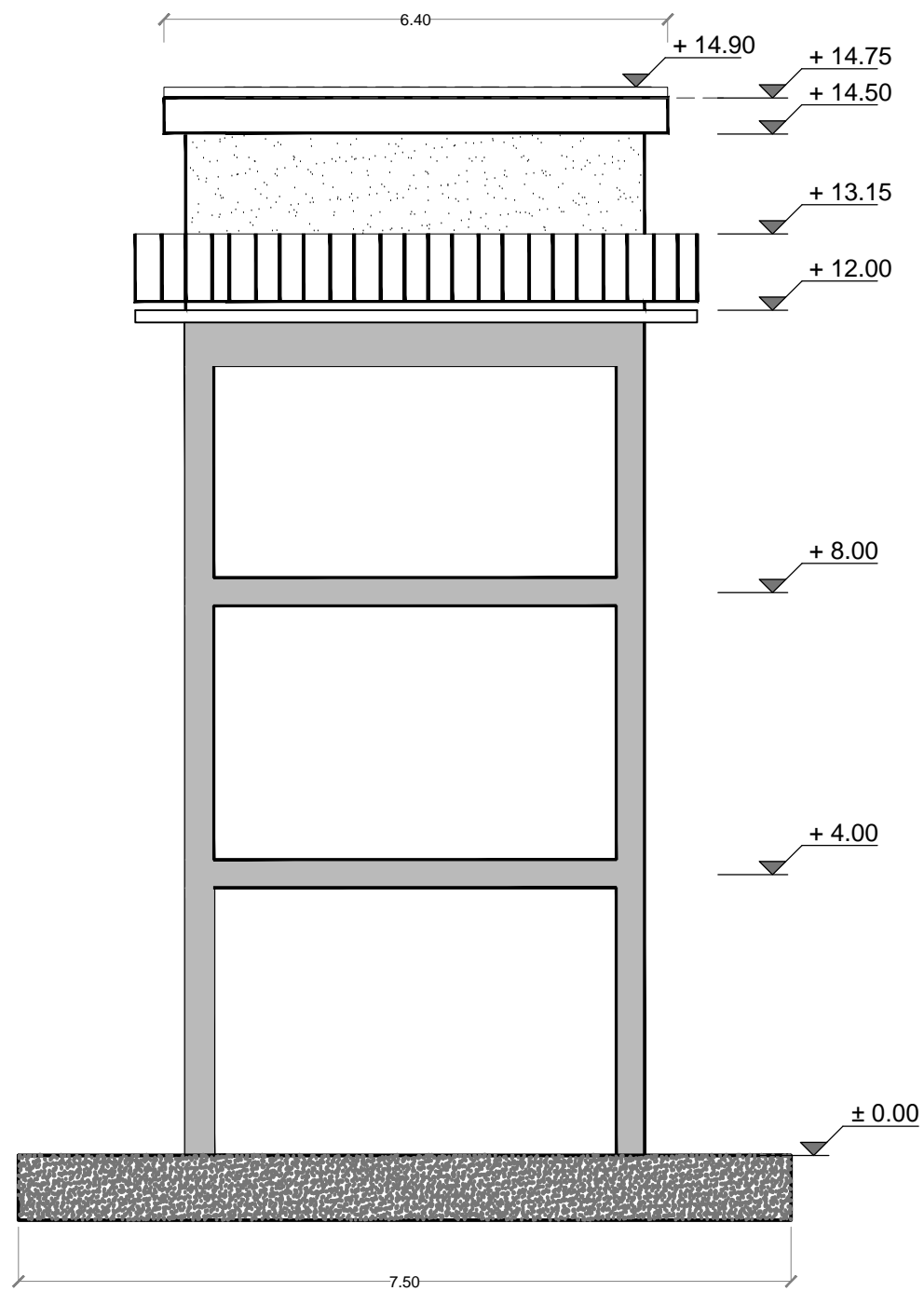


Tank plan

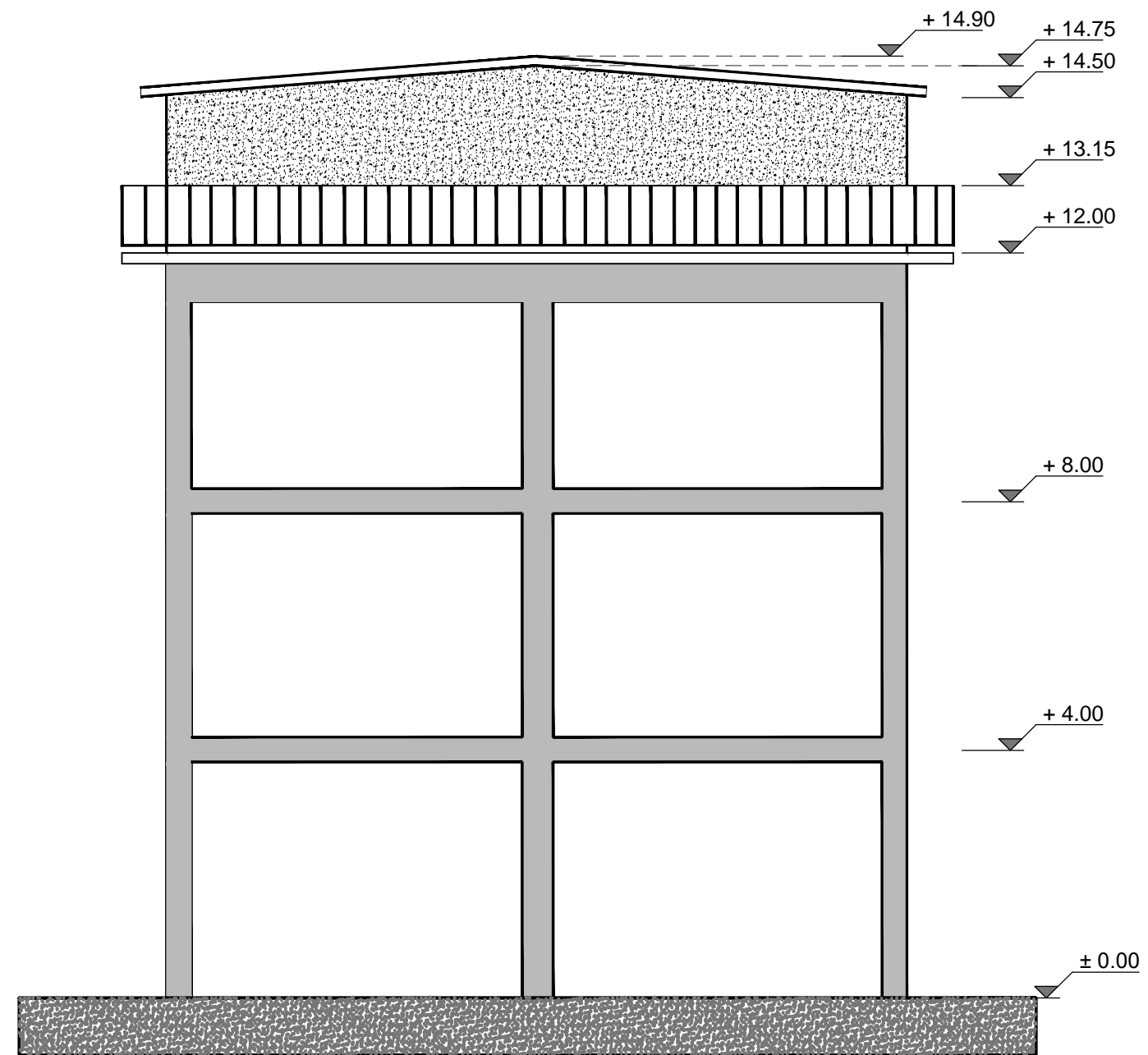


Scale 1:100

Community Revitalization Programme CRP		Design Engineer	Water directory Sulaimaniya suburbs	K. B	Signature	Date	Mar. 2017	Drawing Title	Scale	Sheet NO.
		Design Architect								
International Organization for Migration - IRAQ		Supervising/QC engineer						Water Tank - Plan		A 01
		Project Officer								
		Government Representative								
		Programme Manager						Water tank in Barika		Sheet size: A 3



Side View
Scale 1:100



Front View
Scale 1:100

Community Revitalization
Programme CRP

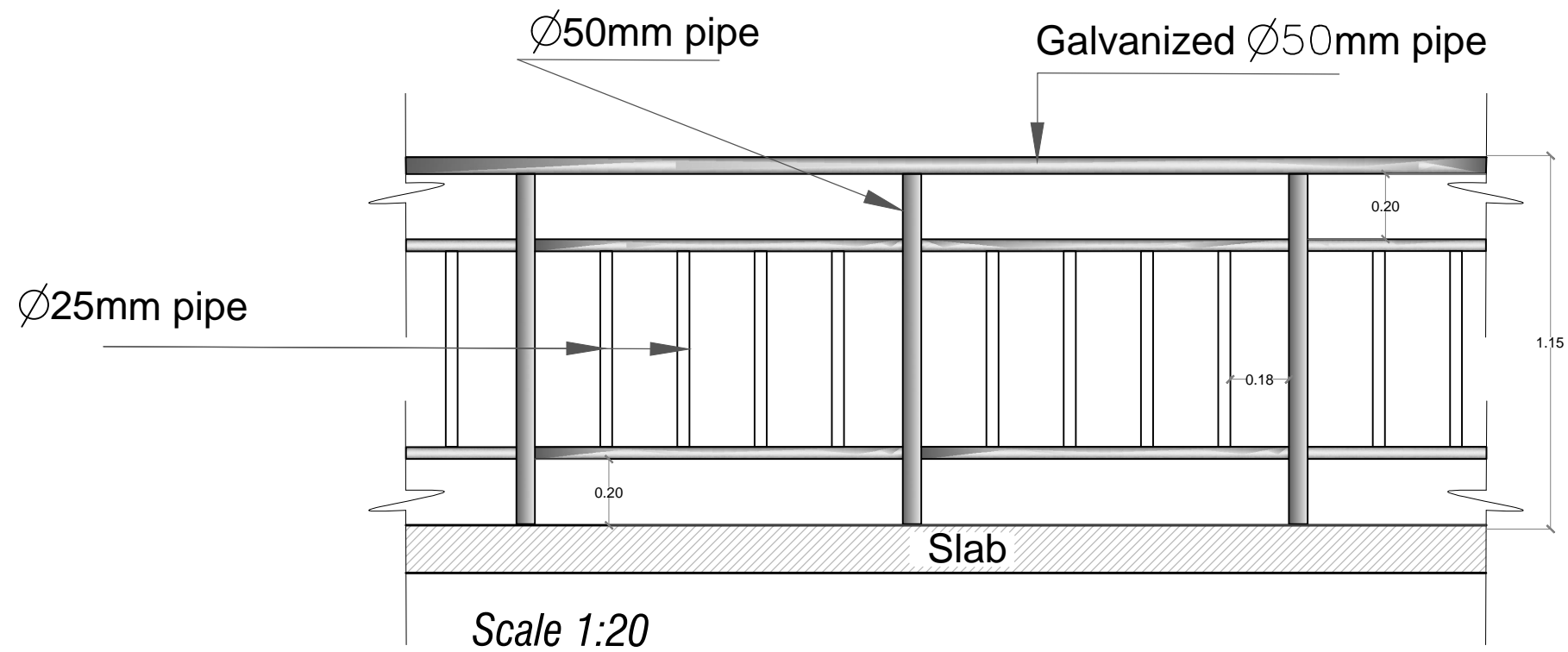


International Organization
for Migration - IRAQ

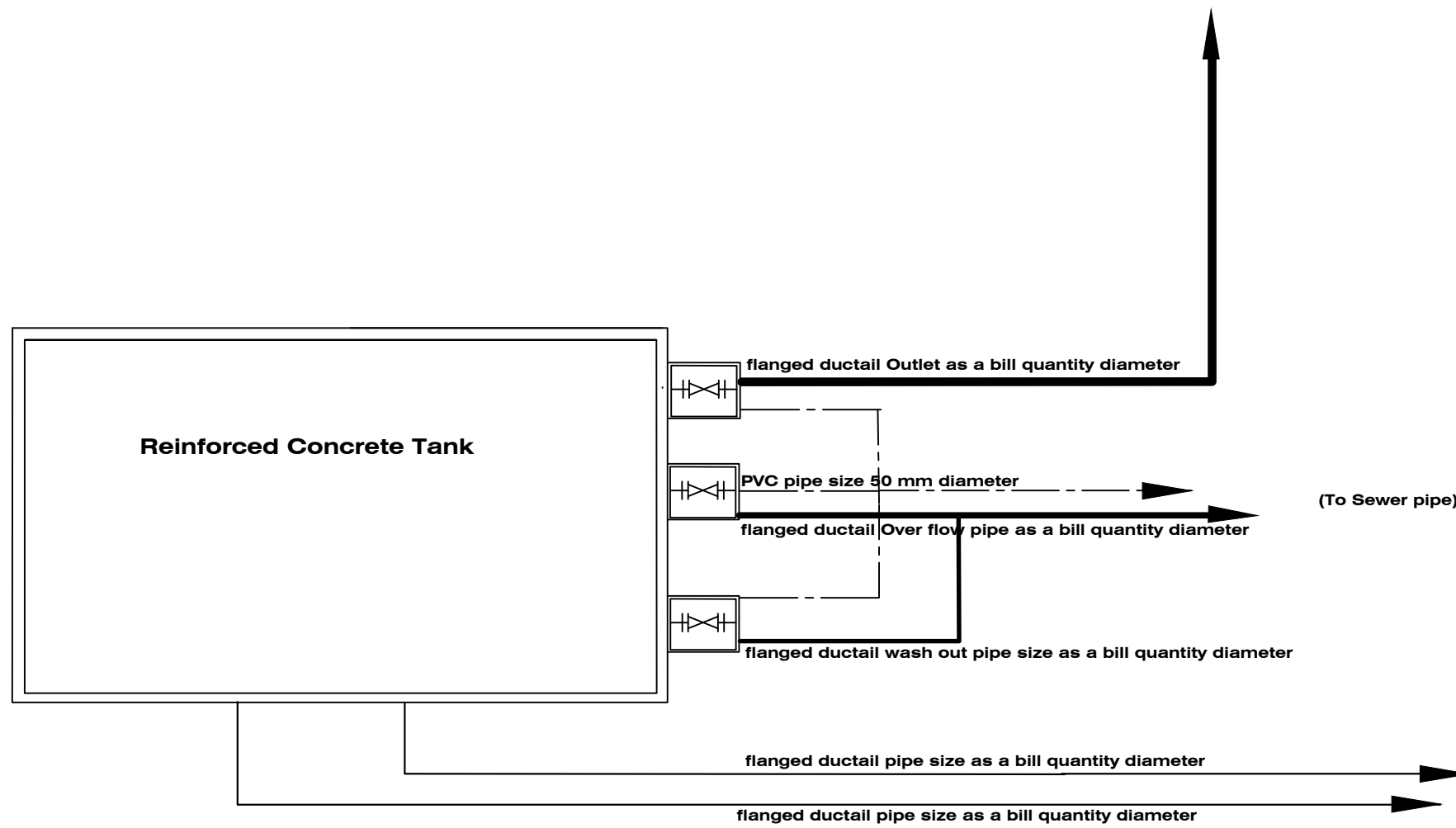




Name	Signature	Date	Drawing Title	Scale	Sheet NO.
Design Engineer		Mar. 2017	Front & Side views		A 02
Design Architect	K. B				
Supervising/QC engineer			Water tank in Barika		Sheet size: A 3
Project Officer					
Government Representative					
Programme Manager					

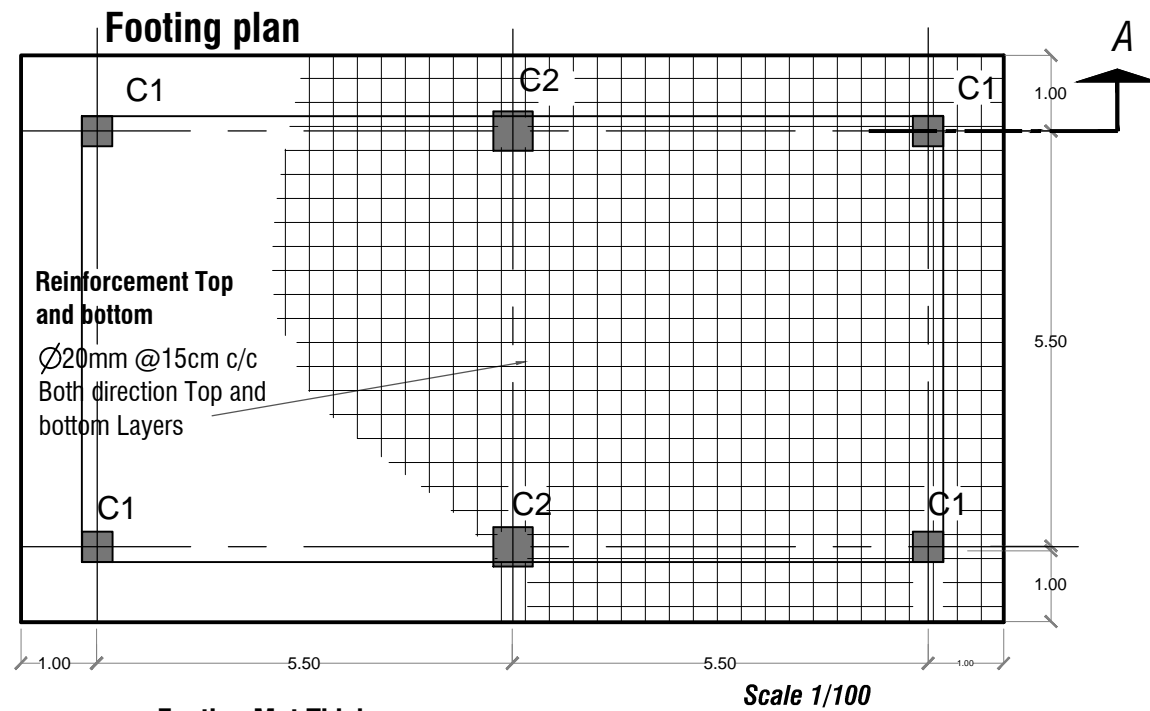
Hand Rail Details



Community Revitalization Programme CRP 				Name	Signature	Date	Drawing Title	Scale	Sheet NO.
	 IOM • OIM العراق	Design Engineer Design Architect Supervising/QC engineer Project Officer Government Representative Programme Manager	Water directory Sulaimaniya suburbs K. B		Mar. 2017	Detail of Steel handrail Water tank in Barika		A 03 Sheet size: A 3	

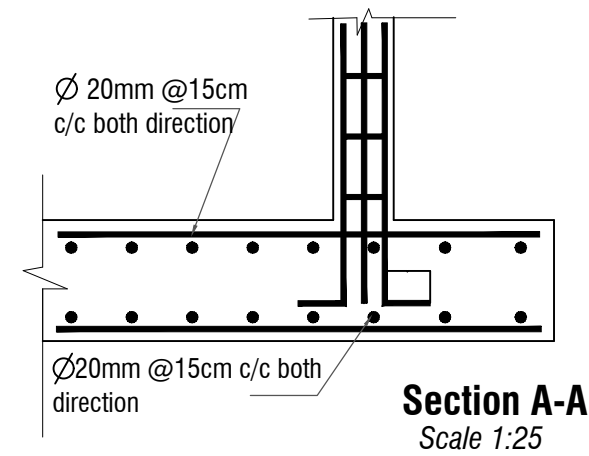


Community Revitalization Programme CRP		Design Engineer	Name	Signature	Date	Drawing Title	Scale	Sheet NO.
		Design Architect	Water directory Sulaimaniya suburbs		Mar. 2017			
International Organization for Migration - IRAQ		Supervising/QC engineer	K. B			pipeline layout for the new water tank		S 01
		Project Officer						
		Government Representative						
		Programme Manager						
						Water tank in Barika		Sheet size: A 3



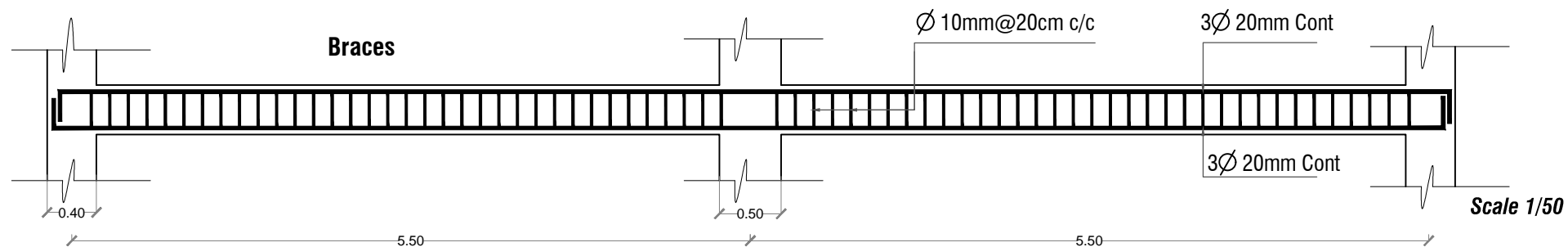
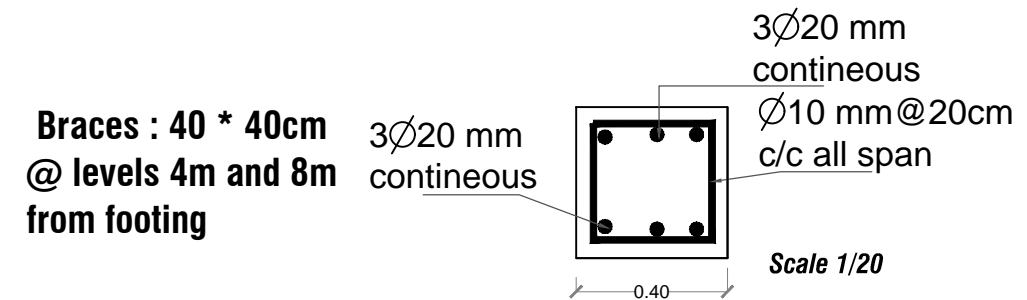
**Footing Mat Thickness
70cm**

**Minimum allowable bearing
Capacity is (10) ton/m²**

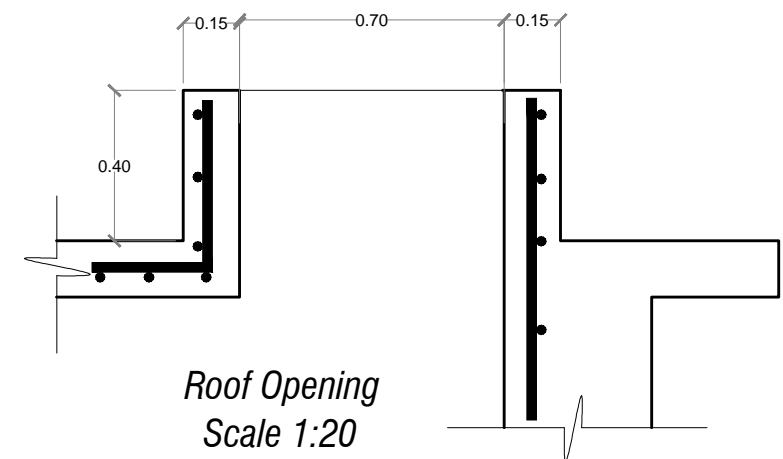
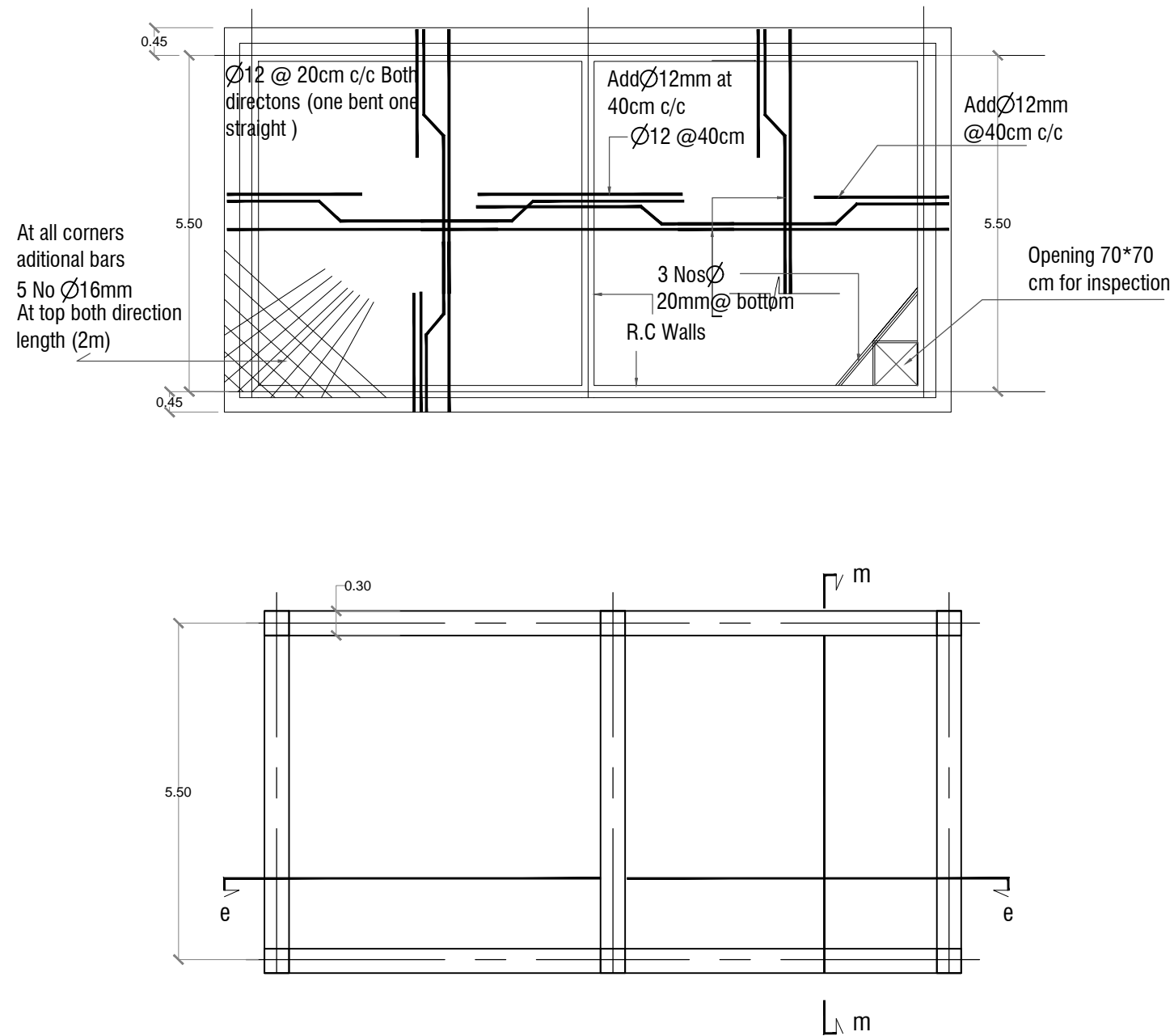




Columns Details

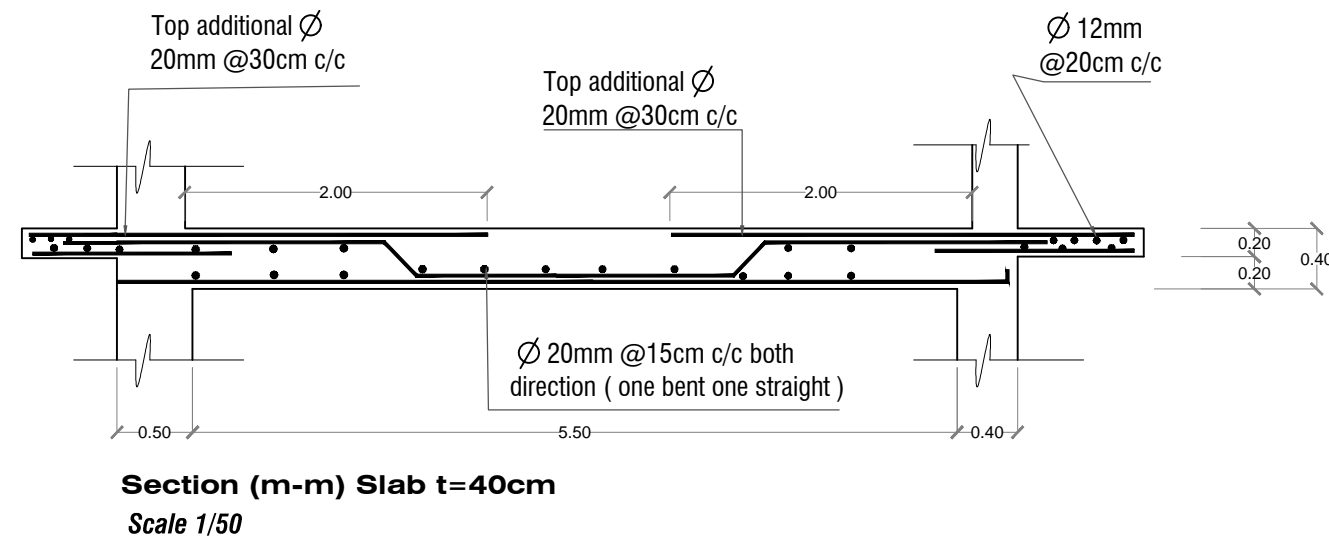
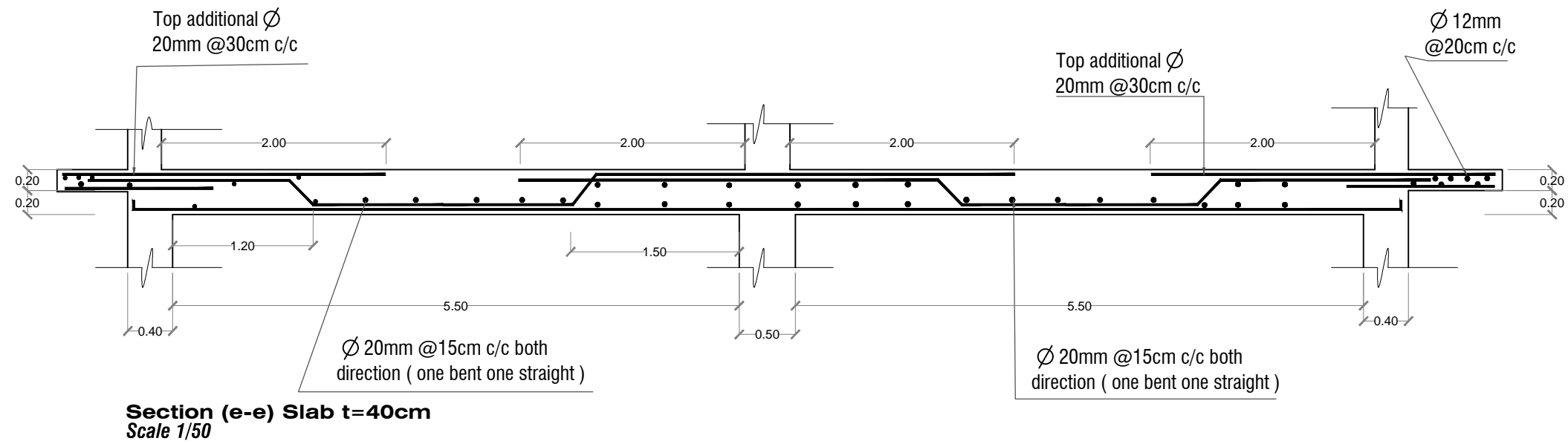
Type	No	size (cm)	Main Steel	Ties	Shape
C1	8	40*40	8Ø 25 mm	2Ø10 mm @25cm c/c	
C2	1	50*50	8Ø 25 mm	2Ø10 mm @25cm c/c	





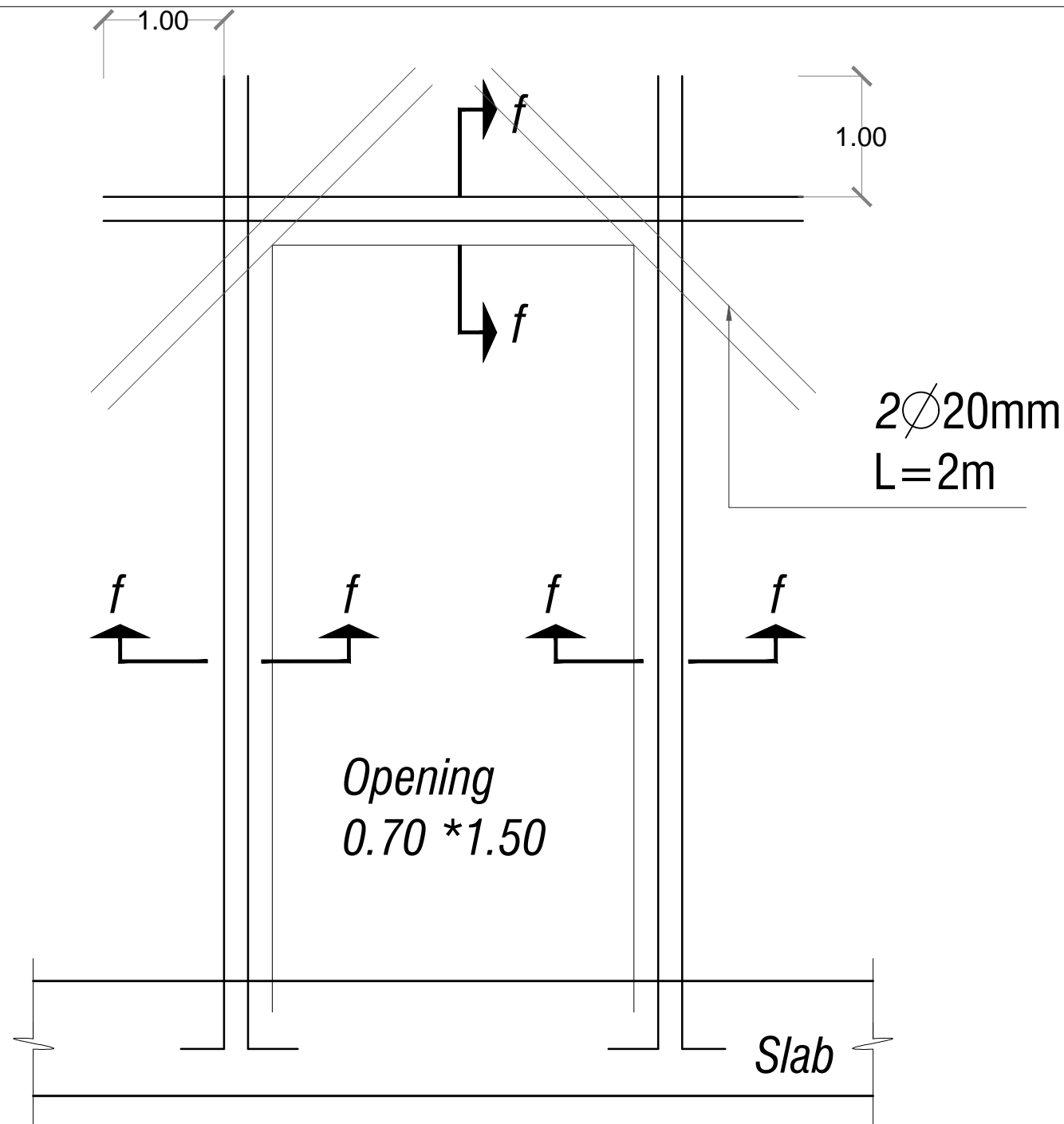
		Name	Signature	Date	Drawing Title	Scale	Sheet NO.
Community Revitalization Programme CRP		Design Engineer		Mar. 2017	Footing, Columns & Bracing		S 02
		Design Architect	K. B				
International Organization for Migration - IRAQ		Supervising/QC engineer			Water tank in Barika		Sheet size: A 3
		Project Officer					
		Government Representative					
		Programme Manager					



		Name	Signature	Date	Drawing Title	Scale	Sheet NO.
Community Revitalization Programme CRP		Design Engineer		Mar. 2017	Slab Reinforcement detail of the Roof Water tank in Barika		S 03
		Design Architect	Water directory Sulaimaniya suburbs				
International Organization for Migration - IRAQ		Supervising/QC engineer	K. B				
		Project Officer				Sheet size: A 3	
		Government Representative					
		Programme Manager					



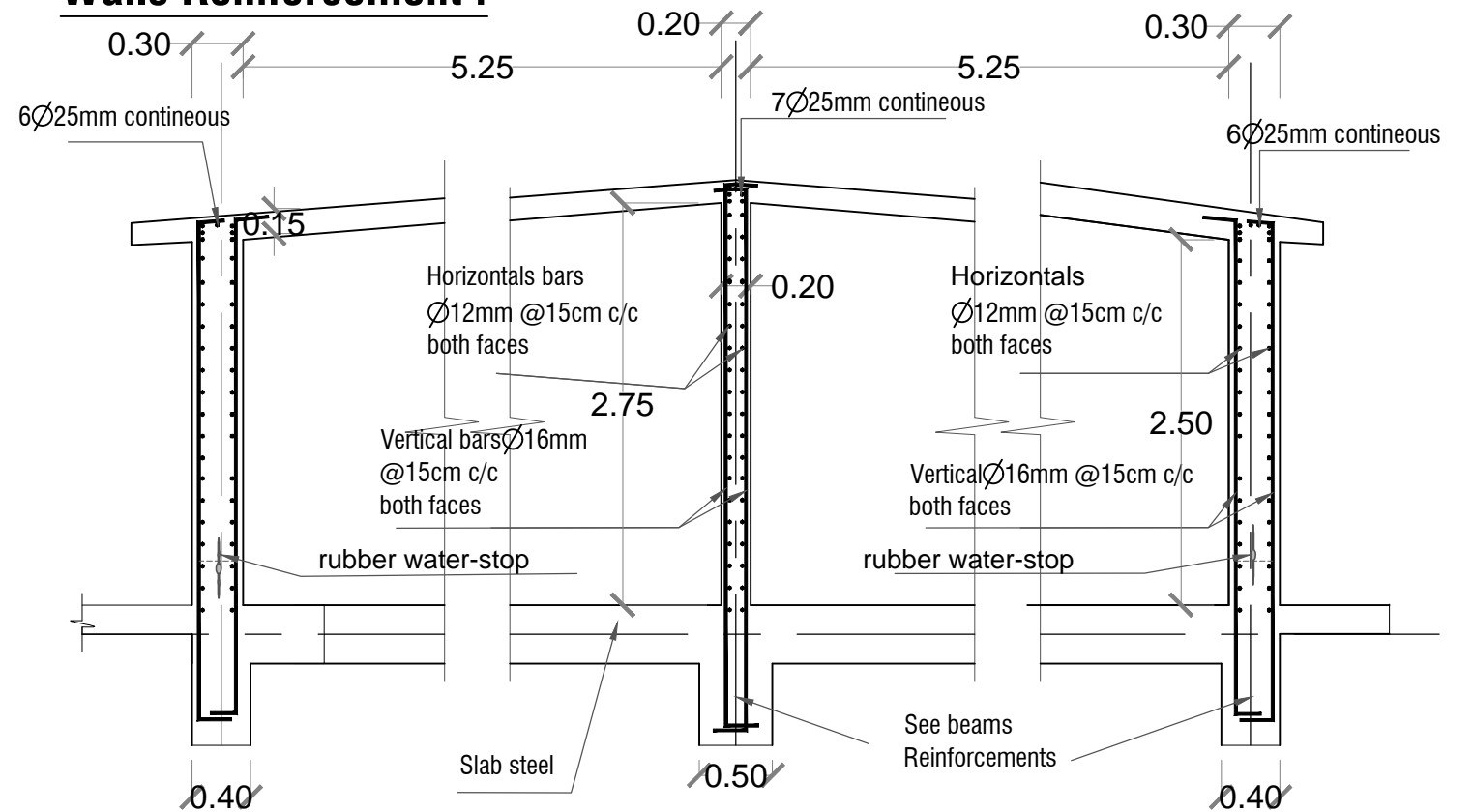
		Name	Signature	Date	Drawing Title	Scale	Sheet NO.
Community Revitalization Programme CRP		Design Engineer		Mar. 2017	Section ee & mm		S 04
		Design Architect	K. B				
International Organization for Migration - IRAQ		Supervising/QC engineer			Water tank in Barika		Sheet size: A 3
		Project Officer					
		Government Representative					
		Programme Manager					



Opening in the walls

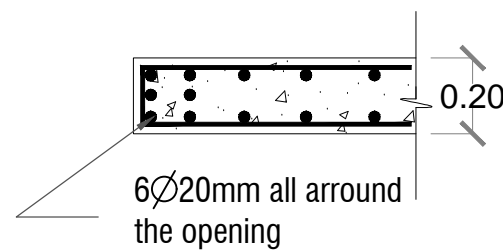
Scale 1:50

Walls Reinforcement :

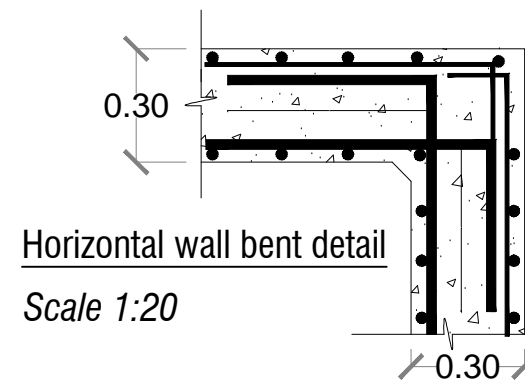


Note: All corners must be chamfered external and internal

Scale 1:50



Section f - f
Scale 1:20



Scale 1:20

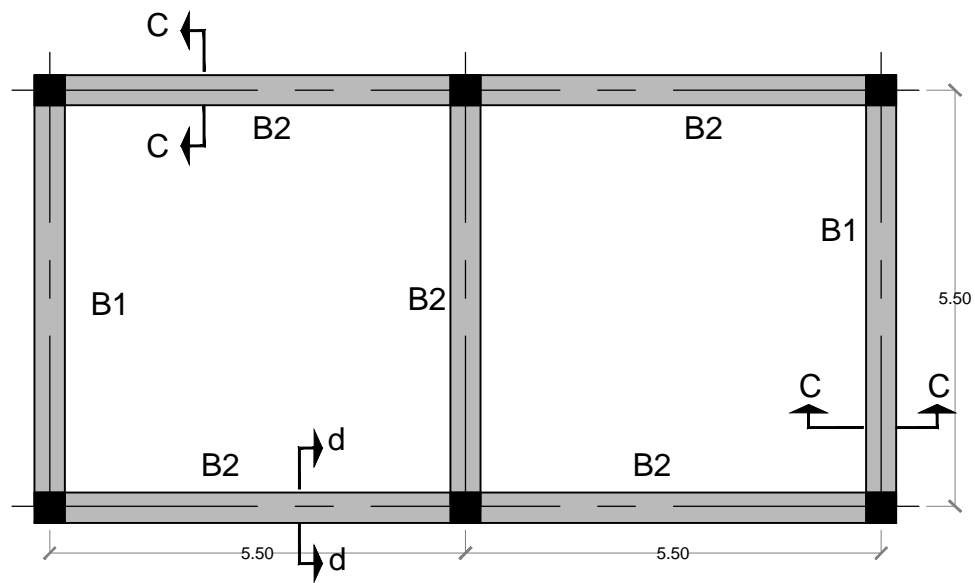
Community Revitalization
Programme CRP



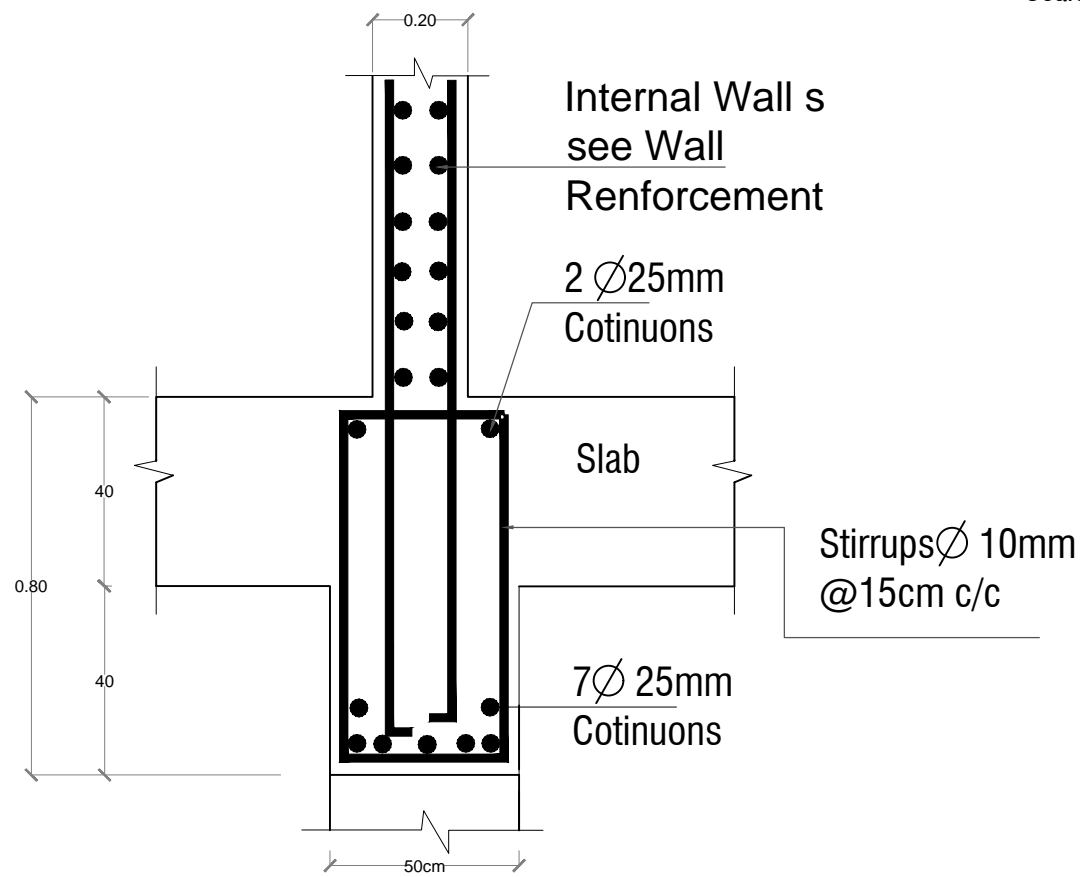
International Organization
for Migration - IRAQ



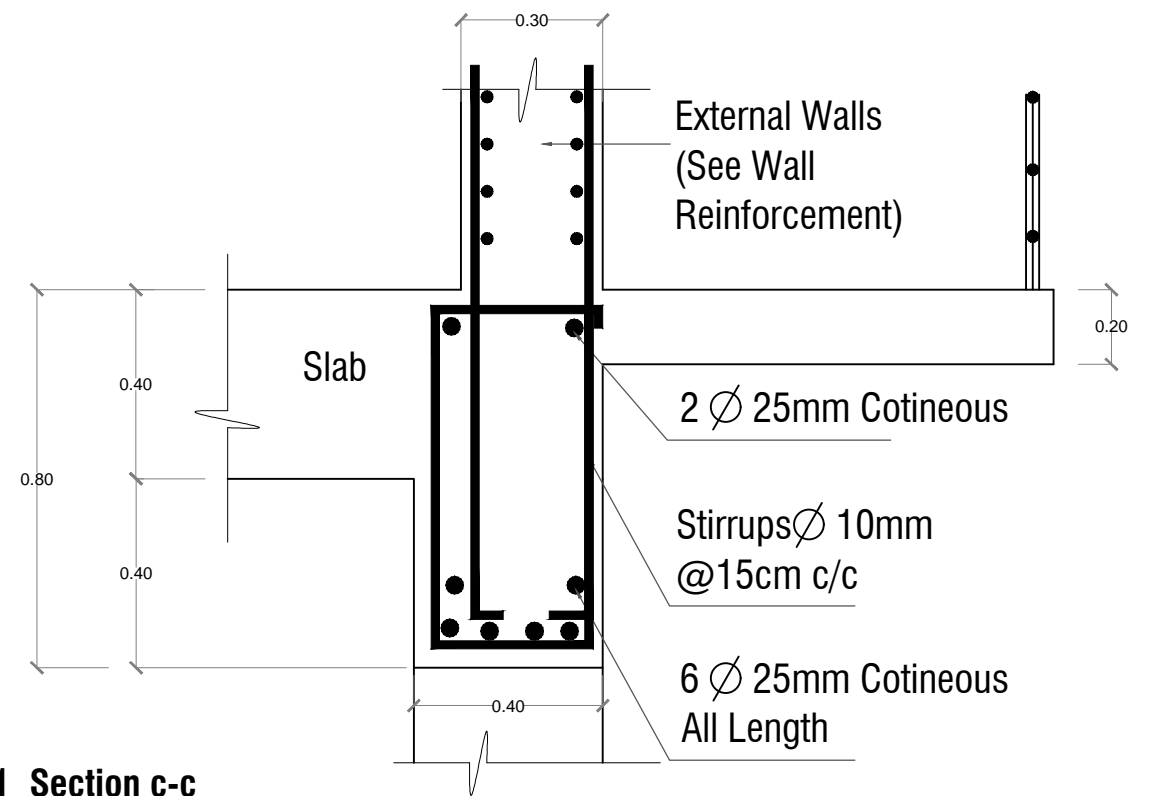
Name	Signature	Date	Drawing Title	Scale	Sheet NO.
Design Engineer		Mar. 2017	Tank Walls Reinforcement Details Water tank in Barika		S 05
Design Architect	K. B				
Supervising/QC engineer					
Project Officer					
Government Representative					
Programme Manager					Sheet size: A 3



Beams plan
Scale 1:100



Beam B2 Section d - d
Scale 1:25



Beam B1 Section c-c
Scale 1:25

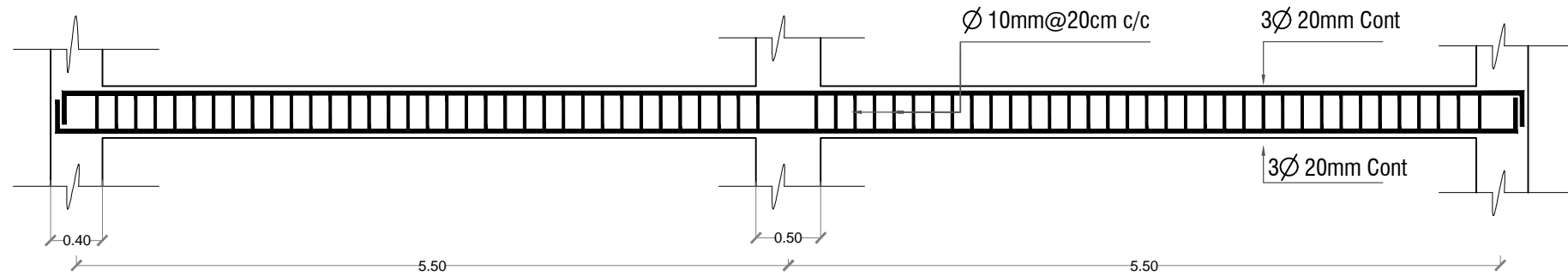
Community Revitalization
Programme CRP



International Organization
for Migration - IRAQ



Name	Signature	Date	Drawing Title	Scale	Sheet NO.
Design Engineer		Mar. 2017	Beams Details		S 06
Design Architect	K. B				
Supervising/QC engineer			Water tank in Barika		Sheet size: A 3
Project Officer					
Government Representative					
Programme Manager					

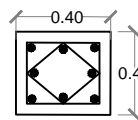
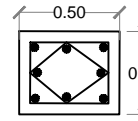


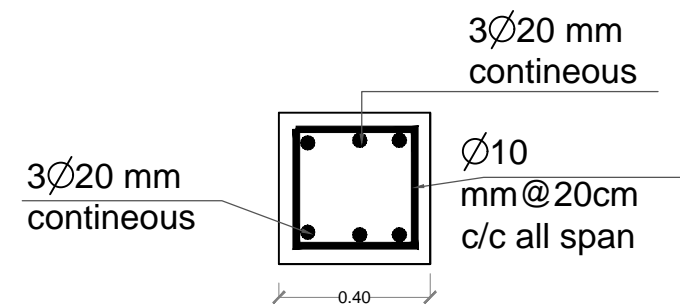
Braces

Scale 1:50



Note: Braces : 40 * 40cm
@ levels 4m and 8m from footing

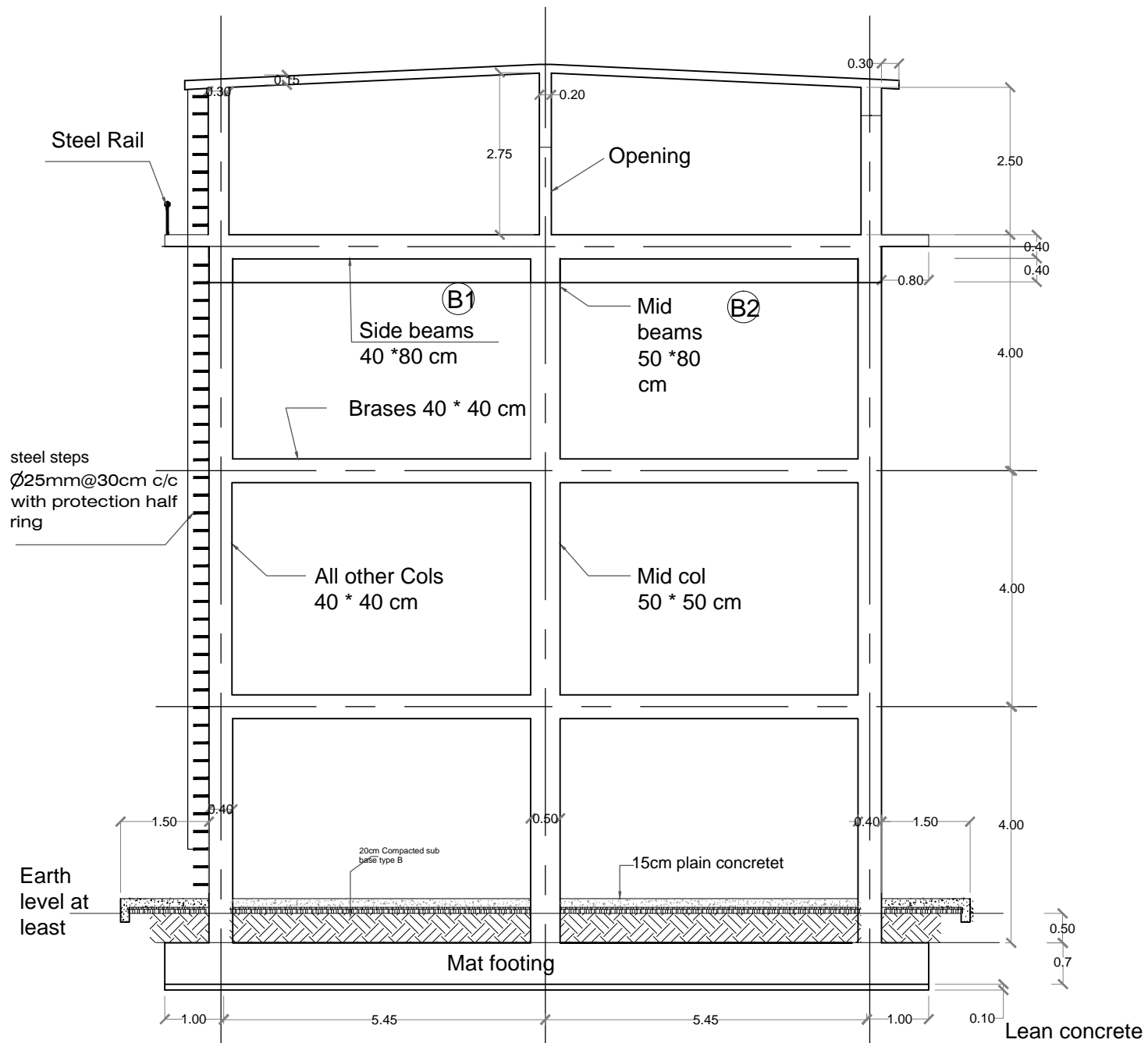
Columns Details

Type	No	size (cm)	Main Steel	Ties	Shape
C1	8	40*40	8Ø 25 mm	2Ø10 mm @25cm c/c	
C2	1	50*50	8Ø 25 mm	2Ø10 mm @25cm c/c	



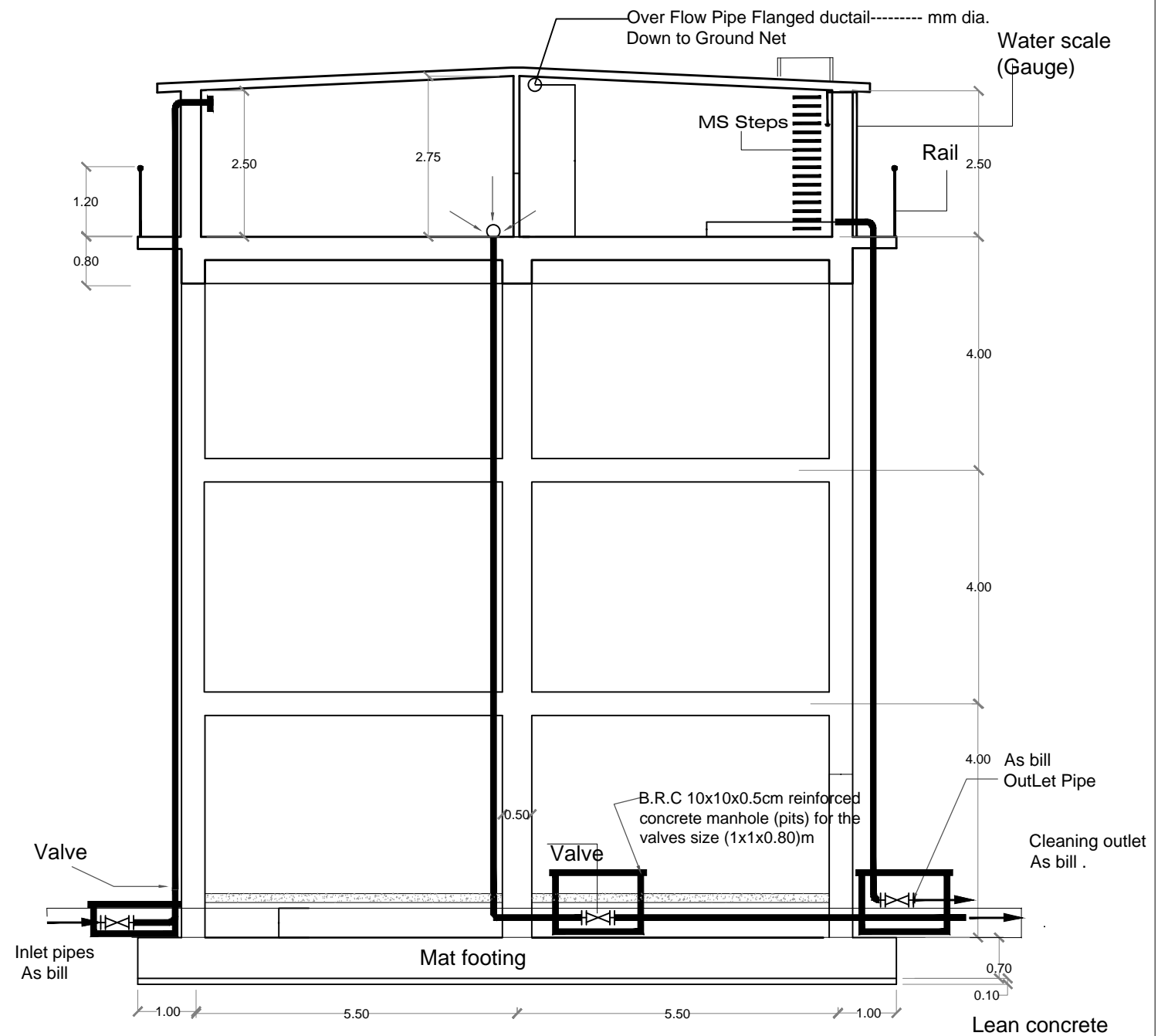
Scale 1:20

Community Revitalization Programme CRP		Design Engineer	Name	Signature	Date	Drawing Title	Scale	Sheet NO.
		Design Architect	Water directory Sulaimaniya suburbs		Mar. 2017			
International Organization for Migration - IRAQ		Supervising/QC engineer	K. B			Columns Details		S 07
		Project Officer						
		Government Representative						
		Programme Manager				Water tank in Barika		Sheet size: A 3





(Section B-B)

Scale 1:100



Tank Piping

Scale 1:100

Community Revitalization Programme CRP		Design Engineer	Name	Signature	Date	Drawing Title	Scale	Sheet NO.
		Design Architect	Water directory Sulaimaniya suburbs		Mar. 2017	Section BB & Section of Tank piping		S 08
International Organization for Migration - IRAQ		Supervising/QC engineer	K. B				Water tank in Barika	
		Project Officer						
		Government Representative						
		Programme Manager						