



The International Organization for Migration

The Federated States of Micronesia
The Republic of Marshall Islands

Bid Bulletin 1

Date: Feb.20,2017

Reference No.: TMRP TTK 16-0631/0632/0633/0634 and 0642

Project: Supply and Delivery of Construction Materials for Typhoon Maysak Reconstruction Project
(Chuuk, FSM)- Public Infrastructure (New Construction)

Subject: Bid Bulletin 1- Revised BOM,Reference Drawing and Extension of Bid Clarification until (Feb.22)

Dear Bidders,

This Bid Bulletin is issued to address the following;

1. Correct description of the items
2. Exact colors and type of paints needed
3. Correct the dimensions in the reference drawings
4. Clarification related to Item#40 Phenolic Wood- To be used only for concrete forming works, not paint grade.
5. Bid Clarification Extension date from until Feb.17 only to until Feb.22,2017.

Attached with this Bid Bulletin 1 is the revised BOM/ Reference Drawings (Please refer to next page).

Thank you,

Procurement Micronesia

*** End of Bid Bulletin ***



DISASTER PREPAREDNESS FOR EFFECTIVE RESPONSE (PREPARE) PROGRAM
 TYPHOON MAYSACK RECONSTRUCTION PROJECT (TMRP)
 Repair/Reconstruction of Public Infrastructure and Utilities Project (RPIUP)



Region: Northern Namoneas
 Location: Fono;Weno
 Project: Nesonumi Community Center (CI001); Nerikinong Community Center (CI006);
 Name: Weno Public Market (CI015)

ITEM	DESCRIPTION	QTY	UNIT
1	Bar, Angle, 1/4"x 1 1/2" x 1 1/2 " x 20ft, HDG with pre punch hole (see attached drawings)	34	ea
2	Cement, 40kg, Pozzolan Type 1P	76	bag
3	Concrete Neutralizer	8	gals
4	Corrugated Galvalume Roofing Sheet, 32"x 10ft L, ga. 26, Prepainted (Navy Blue)	173	ea
5	Faucet, Brass 3/4"	3	ea
6	Pre-fabricated GI Box Gutter 24" x 8', GA 26, prepainted, Navy Blue (see attached drawings)	120	ea
7	Pre-fabricated Flat Bar, 1" x 16 1/2" x 1/4" thk, HDG (gutter bracket)(see attached drawings) (Qty = 262pcs)	262	ea
8	Pre-fabricated Flat Bar, 2" x 16" x 1/4" thk, HDG (beam strap)(see attached drawings) (Qty=156pcs)	156	ea
9	Pre-fabricated GI Ridge Cap 24" x 8' GA 26, pre-painted, Navy Blue(see attached drawings)	101	ea
10	J-bolt, 1/4" x 6" x 2" x 2" x 2", w/ lock nut and washer SS (see attached drawings)	1,122	ea
11	Lumber, treated, 1" x 2" x 16ft	45	ea
12	Lumber, treated, 1" x 6" x 16ft	18	ea
13	Lumber, treated, 2" x 2" x 16ft	328	ea
14	Lumber, treated, 2" x 4" x 16ft	1,025	ea
15	Lumber, treated, 2" x 6" x 16ft	414	ea
16	Machine Bolt, 1/2" x 6 1/2", with lock nut and 2 washers, HDG	116	ea
17	Nails, Common, 1 1/2" (4D), HDG	118	lbs
18	Nails, Common, 1" (2D), HDG	152	lbs
19	Nails, Common, 2" (6D), HDG	75	lbs
20	Nails, Common, 3" (10D), HDG	1,171	lbs
21	Nails, Stainless Steel, 1 1/2" (4D)	195	lbs
22	Nails, umbrella with shank, 2 1/2", G.I. with rubber washer	168	lbs
23	Paint Brush, 2"	18	ea
24	Paint Brush, 4"	15	ea
25	Paint, Flatwall Enamel (white)	26	gals
26	Paint, flat latex (white)	20	gals
27	Paint, semigloss Enamel (Interior) (Biege)	26	gals
28	Paint roller, 6", with handle and tray	11	ea
29	Paint, Latex, Semi-gloss (Exterior) (Biege)	20	gals
30	Paint, Thinner	10	gals
31	Paint, Latex, Semi-gloss, Brown (Baseboard)	6	gals
32	Plywood, Phenolic, 1/2" thick	192	ea
33	Plywood, Reg Grade 1/4", ACX (exterior grade)	152	ea
34	Plywood, Reg. Grade 1/2", ACX (exterior grade)	63	ea
35	PVC, Elbow 90°, 3/4"Ø, sch.40	7	ea
36	PVC Ball Valve, 3/4", sch. 40	3	ea
37	PVC Female adapter, 3/4", sch. 40	6	ea
38	PVC Male adapter, 3/4", sch. 40	6	ea
39	PVC Pipe, 3/4" x 20ft, sch. 40	3	ea
40	PVC Pipe, 3"Ø x 10ft, Sched 40	6	ea
41	PVC cement, 8 oz.	3	ea



DISASTER PREPAREDNESS FOR EFFECTIVE RESPONSE (PREPARE) PROGRAM
 TYPHOON MAYSACK RECONSTRUCTION PROJECT (TMRP)
 Repair/Reconstruction of Public Infrastructure and Utilities Project (RPIUP)



Region: Northern Namoneas
 Location: Fono;Weno
 Project: Nesonumi Community Center (CI001); Nerikinong Community Center (CI006);
 Name: Weno Public Market (CI015)

ITEM	DESCRIPTION	QTY	UNIT
42	PVC Tee, 3" dia., sch. 40	6	ea
43	PVC Union 3/4", sch. 40	3	ea
44	PVC, Coupling, 3"Ø, sch.40	6	ea
45	PVC, Elbow 90°, 3"Ø, sch.40	9	ea
46	Quikrete Concrete Mix Product No. 1101, 80lbs/bag	4,432	bag
47	Rebar#3, 3/8"GRD60 L20' epoxy coated	1,023	ea
48	Rebar#4, 1/2"GRD60 L20', epoxy coated	558	ea
49	Rebar#5, 5/8"GRD60 L20', epoxy coated	862	ea
50	Rivets, blind, 3/16"Ø x 1/8" grip; SS	35	box
51	Roof Gutter Strainer or Drain round wire or dome type	6	ea
52	Sand Paper, #80	100	ea
53	Screen wire, .007" opening, aluminum	24	ft
54	Sealant, Silicone	14	tube
55	Simpson strong tie, H5SS (Left=486pcs, Right=486pcs)	972	ea
56	Masking tape, 1"	25	ea
57	Tie wire, G.I, Ga. 16, epoxy coated	172	lbs
58	Water tank, 1000gals with 3/4" adapter and lid	3	set
59	Wood Preservative, Copper Green	3	gal

Prepared by:


 Lee Arkhie M. Perez
 Field Reconstruction Engineer



**DISASTER PREPAREDNESS FOR EFFECTIVE RESPONSE (PREPARE) PROGRAM
TYPHOON MAYSAK RECONSTRUCTION PROJECT (TMRP)
Repair/Reconstruction of Public Infrastructure and Utilities Project (RPIUP)**



Region: Southern Namoneas
 Location: Fefen; Tonoas
 Project Name: Saponong Meeting Hall (CI034); Sapota Municipal Office Building (CI022)

ITEM	DESCRIPTION	QTY	UNIT
1	Door, Hinges, Loose Pin, Stainless Steel , 4"	18	ea
2	Plywood, PT T1-11, 5/8" thick	51	ea
3	PVC Female adapter, 3/4", sch. 40	4	ea
4	Bar, Angle, 1/4"x 1 1/2" x 1 1/2 " x 20ft, HDG with pre punch hole (see attached drawings)	27	length
5	Cement, 40kg, Pozzolan Type 1P	20	bag
6	Corrugated Galvalume Roofing Sheet, 32"x 10ft L, ga. 26, Prepainted (Navy Blue)	411	ea
7	Door, Hollow Core, 36"x80" with 2"x6" jamb	4	set
8	Door, lockset, Std. Kwikset (Stainless)	8	ea
9	Door, Double Swing, Hollow Core, 75"x80" with 2"x6" jamb	2	set
10	Faucet, Brass, 3/4"	2	ea
11	Pre-fabricated Flat Bar, 1" x 16 1/2" x 1/4" thk, HDG (gutter bracket)(see attached drawings) (Qty=221pcs)	221	ea
12	Pre-fabricated Flat Bar, 2" x 16" x 1/4" thk, HDG (beamstrap)(see attached drawings) (Qty=156pcs)	156	ea
13	Pre-fabricated GI Box Gutter 24" x 8' GA 26, prepainted, Navy Blue (see plan)	64	ea
14	Pre-fabricated GI Ridge Cap 24" x 8', GA 26, prepainted, Navy Blue (see plan)	48	ea
15	J-bolt, 1/4" x 6" x 2" x 2" x 2", w/ lock nut and washer SS (See plan)	891	ea
16	Lumber, treated, 1" x 2" x 16ft	78	ea
17	Machine Bolt, 1/2" x 6 1/2", with lock nut and 2 washers, HDG	29	ea
18	Lumber, treated, 2" x 2" x 16ft	946	ea
19	Lumber, treated, 2" x 4" x 16ft	320	ea
20	Lumber, treated, 2" x 6" x 16ft	561	ea
21	Machine Bolt, 1/2" x 6 1/2", with 2pcs. washer and 2 pcs. nuts, HDG	156	ea
22	Nails, Common, 1 1/2" (4D), HDG	171	lbs
23	Nails, Common, 1" (2D), HDG	96	lbs
24	Nails, Common, 2" (6D), HDG	85	lbs
25	Nails, Common, 3" (10D), HDG	1,144	lbs
26	Nails, Stainless Steel, 1 1/2" (4D)	26	lbs
27	Nails, umbrella with shank, 2 1/2", G.I. with rubber washer	20	lbs
28	PVC cement, 16oz.	2	ea
29	Paint Brush, 2"	8	ea
30	Paint roller, 6", with handle and tray	3	ea
31	Paint, Flatwall Enamel (white)	15	gals
32	Paint, Flat latex (White)	15	gals
33	Paint, Flatwall Enamel (Interior) Biege	50	gal
34	Paint, Latex, Semi-gloss (Exterior) Biege	48	gal
35	Paint, Latex, Semi-gloss, Brown, (Baseboard)	4	gals
36	Plywood, Phenolic, 1/2" thick	134	ea
37	Plywood, Reg Grade 1/4", ACX (exterior grade)	172	ea
38	Plywood, Reg. Grade 1/2", ACX (exterior grade)	122	ea
39	PVC, Elbow 90°, 3/4"Ø , sch.40	4	ea
40	PVC Ball Valve, 3/4", sch. 40	2	ea
41	PVC, Elbow 90°, 3"Ø , sch.40	19	ea
42	PVC Pipe, 3/4" x20ft, sch. 40	2	ea
43	PVC Pipe, 3"Ø x 20ft, Sched 40	18	ea
44	PVC, Tee, 3"Ø , sch.40	18	ea
45	PVC Union 3/4", sch. 40	2	ea



DISASTER PREPAREDNESS FOR EFFECTIVE RESPONSE (PREPARE) PROGRAM
TYPHOON MAYSACK RECONSTRUCTION PROJECT (TMRP)
Repair/Reconstruction of Public Infrastructure and Utilities Project (RPIUP)



Region: Southern Namoneas
Location: Fefen; Tonoas
Project Name: Saponong Meeting Hall (CI034); Sapota Municipal Office Building (CI022)

ITEM	DESCRIPTION	QTY	UNIT
46	Quikrete Concrete Mix Product No. 1101, 80lbs/bag	2,903	bag
47	Rebar#3, 3/8"GRD60 L20' epoxy coated	638	ea
48	Rebar#4, 1/2"GRD60 L20', epoxy coated	180	ea
49	Rebar#5, 5/8"GRD60 L20', epoxy coated	1,550	ea
50	Rivets, blind, 3/16"Ø x 1/8" grip; SS	29	box
51	Roof Gutter Strainer or Drain round wire or dome type	8	ea
52	Screen wire, .007" opening, aluminum	16	ft
53	Sealant, Silicone	4	tube
54	Simpson strong tie, H55S (Left=448pcs, Right=448pcs)	896	ea
55	Tie wire, G.I, Ga. 16, epoxy coated	57	lbs
56	Water tank, 1000gals with 3/4" adapter and lid	2	ea
57	Welded wire mesh 1" x 1" 6mm diameter	142	ft
58	Wood Preservative, Copper Green	3	gal

Prepared by:


Ralph Michael V. Silerio
Field Reconstruction Engineer



**DISASTER PREPAREDNESS FOR EFFECTIVE RESPONSE (PREPARE) PROGRAM
TYPHOON MAYSACK RECONSTRUCTION PROJECT (TMRP)**



Repair/Reconstruction of Public Infrastructure and Utilities Project (RPIUP)

Region: Faichuk
Location: Paata; Polle

Project Name: Sapota Village School (CI048); Sapou Municipal Office (CI056); Nukaf Dispensary (CI053); Monowe Community Center (CI088); Sapota Community Center (CI050)

ITEM	DESCRIPTION	QTY	UNIT
1	PVC Female adapter, 3/4", sch. 40	10.00	ea
2	Bar, Angle, 1/4"x 1 1/2" x 1 1/2" x 20ft, HDG with pre punch hole (see attached drawing)	47.00	ea
3	Cement, 40kg, Pozzolan Type 1P	49.00	bag
4	Corrugated Galvalume Roofing Sheet, 32"x 10ft L, ga. 26, Prepainted (Navy Blue)	436.00	ea
5	Corrugated Galvalume Roofing Sheet, 32"x 12ft L, ga. 26, Prepainted (Navy Blue)	272.00	ea
6	Corrugated Galvalume Roofing Sheet, 32"x 8ft L, ga. 26, Prepainted (Navy Blue)	124.00	ea
7	Door, Hinges, Loose Pin, Stainless Steel, 4"	18.00	ea
8	Door, Hollow Core, 36"x80" with 2"x6" jamb	6.00	set
9	Door, lockset, Std. Kwikset, Stainless	6.00	ea
10	Faucet, Brass, 3/4"	5.00	ea
11	Pre-fabricated Flat Bar, 1" x 16 1/2" x 1/4" thk, HDG (gutter bracket) (see attached drawings) (Qty=440pcs)	440.00	ea
12	Pre-fabricated Flat Bar, 2" x 16" x 1/4" thk, HDG (beam strap) see attached drawings (Qty=296pcs)	296.00	ea
13	Pre-fabricated GI Box Gutter 24" x 8', GA 26, prepainted, Navy Blue (see attached drawings)	119.00	ea
14	Pre-fabricated GI Ridge Cap 24" x 8', GA 26, prepainted, Navy Blue (see attached drawings)	85.00	ea
15	J-bolt, 1/4" x 6" x 2" x 2", w/ lock nut and washer SS (see attached drawings)	1410.00	ea
16	Lumber, treated, 1" x 2" x 16ft	149.00	ea
17	Machine Bolt, 1/2" x 6 1/2", with lock nut and 2 washers, HDG	65.00	ea
18	Lumber, treated, 2" x 2" x 16ft	899.00	ea
19	Lumber, treated, 2" x 3" x 16ft	594.00	ea
20	Lumber, treated, 2" x 4" x 16ft	907.00	ea
21	Lumber, treated, 2" x 6" x 16ft	814.00	ea
22	Machine Bolt, 1/2" x 6 1/2", with 2pcs. washer and 2 pcs. nuts, HDG	296.00	ea
23	Nails, Common, 1" (2D), HDG	190.00	lbs
24	Nails, Common, 2 1/2" (8D), HDG	230.00	lbs
25	Nails, Common, 2" (6D), HDG	321.00	lbs
26	Nails, Common, 3" (10D), HDG	26.00	lbs
27	Nails, Common, 4" (20D), HDG	20.00	lbs
28	Nails, Concrete, 4" (20D), HDG	105.00	lbs
29	Nails, umbrella with shank, 2 1/2", G.I. with rubber washer	223.00	lbs
30	PVC Cement, 8 oz.	5.00	ea
31	Paint Brush, 2"	30.00	ea
32	Paint roller, 6", with handle and tray	10.00	set
33	Paint, Flatwall Enamel (white)	25.00	gal
34	Paint, Flat latex (white)	20.00	gal
35	Paint, Flatwall Enamel (Interior), Biege	139.00	gal
36	Paint, Latex, Semi-gloss (Exterior), Biege	76.00	gal
37	Paint, Latex, Semi-gloss, Brown (Baseboard)	10.00	gals
38	Plywood, PT T1-11, 5/8" thick	106.00	ea
39	Plywood, Ordinary, 1/4" thick	45.00	ea
40	Plywood, Phenolic, 1/2" thick	162.00	ea
41	Plywood, Reg Grade 1/4", ACX (exterior grade)	434.00	ea
42	Polyethelene Sheets, 6mils (20' x 100')	1.00	roll
43	PVC Ball Valve, 3/4", sch. 40	5.00	ea



DISASTER PREPAREDNESS FOR EFFECTIVE RESPONSE (PREPARE) PROGRAM
TYPHOON MAYSACK RECONSTRUCTION PROJECT (TMRP)
Repair/Reconstruction of Public Infrastructure and Utilities Project (RPIUP)

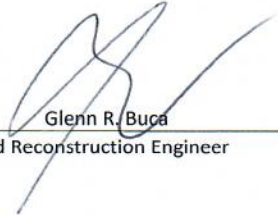


Region: Faichuk
Location: Paata; Polle

Project Name: Sapota Village School (CI048); Sapou Municipal Office (CI056); Nukaf Dispensary (CI053); Monowe Community Center (CI088); Sapota Community Center (CI050)

ITEM	DESCRIPTION	QTY	UNIT
44	PVC, Elbow 90°, 3/4"Ø, sch.40	10.00	ea
45	PVC, Elbow 90°, 3"Ø, sch.40	46.00	ea
46	PVC Pipe, 3/4" x20ft, sch. 40	5.00	ea
47	PVC Pipe, 3"Ø x 20ft, Sched 40	37.00	ea
48	PVC Tee, 3" dia., sch. 40	37.00	ea
49	PVC Union 3/4", sch. 40	5.00	ea
50	Quikcrete Concrete Mix Product No. 1101, 80lbs/bag	2250.00	bags
51	Rebar#3, 3/8"GRD60 L20', epoxy coated	627.00	ea
52	Rebar#4, 1/2"GRD60 L20', epoxy coated	209.00	ea
53	Rebar#5, 5/8"GRD60 L20', epoxy coated	966.00	ea
54	Rivets, blind, 3/16"Ø x 1/8" grip; SS	9.00	box
55	Roof Gutter Strainer or Drain round wire or dome type	36.00	ea
56	Screen wire, .007" opening, aluminum	40.00	ft
57	Sealant, Silicone	10.00	tube
58	SEC Wire Mesh CTD BLK 1/2" x 1/2" x 4' (height)	234.00	ft
59	Simpson strong tie, HSSS (Left=1288pcs, Right=1288pcs)	2576.00	ea
60	Tie wire, G.I, Ga. 16, epoxy coated	354.00	lbs
61	Washer, 1/2" dia., HDG	592.00	ea
62	Water Sealant	2.00	gal
63	Water tank, 1000gals with 3/4" adapter and lid	5.00	ea
64	Wire Mesh (6"x6"x7'x100')	1.00	roll
65	Wood Preservative, Copper Green	15.00	gal

Prepared by:


Glenn R. Buca
Field Reconstruction Engineer



**DISASTER PREPAREDNESS FOR EFFECTIVE RESPONSE (PREPARE) PROGRAM
TYPHOON MAYSACK RECONSTRUCTION PROJECT (TMRP)**

Repair/Reconstruction of Public Infrastructure and Utilities Project (RPIUP)



Region: Northwest Islands
 Location: Onary; Piherarh
 Project Name: Onary Community Hall (CI107); Piherarh Elementary School (CI115)

ITEM	DESCRIPTION	QTY	UNIT
1	Door, Hinges, Loose Pin, Stainless Steel , 4"	12	ea
2	Plywood, PT T1-11, 5/8" thick	43	ea
3	PVC Female adapter, 3/4", sch. 40	4	ea
4	Bar, Angle, 1/4"x 1 1/2" x 1 1/2 " x 20ft, HDG with pre punch hole (see attached drawing)	21	ea
5	Cement, 40kg, Pozzolan Type 1P	22	bag
6	Corrugated Galvalume Roofing Sheet, 32"x 10ft L, ga. 26, Prepainted (Navy Blue)	310	ea
7	Door, Hollow Core, 32"x80", with 2"x6" jamb	4	set
8	Door, lockset, Std. Kwikset, Stainless	4	ea
9	Faucet, Brass, 3/4"	2	ea
10	Pre-fabricated Flat Bar, 1" x 16 1/2" x 1/4" thk, HDG (gutter bracket) (see attached drawings) (Qty=172pcs)	172	ea
11	Pre-fabricated Flat Bar, 2" x 16" x 1/4" thk, HDG (beam strap) (see attached drawings) (Qty=110pcs)	110	ea
12	Pre-fabricated GI Box Gutter 24" x 8', GA 26, prepainted, Navy Blue (see plan)	50	ea
13	Pre-fabricated GI Ridge Cap 24" x 8', GA 26, prepainted, Navy Blue (see plan)	39	ea
14	J-bolt, 1/4" x 6" x 2" x 2" x 2", w/ lock nut and washer SS (See plan)	693	ea
15	Lumber, treated, 1" x 2" x 16ft	61	ea
16	Lumber, treated, 1" x 6" x 16ft	28	ea
17	Machine Bolt, 1/2" x 6 1/2", with lock nut and 2 washers, HDG	677	ea
18	Lumber, treated, 2" x 4" x 16ft	249	ea
19	Lumber, treated, 2" x 6" x 16ft	102	ea
20	Lumber, treated, 2" x 8" x 16ft	217	ea
21	Machine Bolt, 1/2" x 6 1/2", with 2pcs. washer and 2 pcs. nuts, HDG	110	ea
22	Nails, Common, 1 1/2" (4D), HDG	136	lbs
23	Nails, Common, 1" (2D), HDG	70	lbs
24	Nails, Common, 2" (6D), HDG	82	lbs
25	Nails, Common, 3" (10D), HDG	810	lbs
26	Nails, SSN8, 1 1/2"	26	lbs
27	Nails, Stainless Steel, 1 1/2" (8D)	20	lbs
28	Nails, umbrella with shank, 2 1/2", G.I. with rubber washer	301	lbs
29	PVC cement, 16oz.	2	ea
30	Paint Brush, 2"	10	ea
31	Paint roller, 6", with handle and tray	4	ea
32	Paint, Flatwall Enamel (white)	15	gal
33	Paint, Flat Latex (white)	10	gal
34	Paint, Enamel (Interior), semi-gloss, Biege	52	gal
35	Paint, Latex, Semi-gloss (Exterior), Biege	34	gal
36	Paint, Latex, Semi-gloss (Baseboard), Brown	4	gals
37	Plywood, Phenolic, 1/2" thick	104	ea
38	Plywood, Reg Grade 1/4", ACX (exterior grade)	234	ea
39	PVC, Elbow 90°, 3/4"Ø , sch.40	4	ea
40	PVC Ball Valve, 3/4", sch. 40	2	ea
41	PVC, Elbow 90°, 3"Ø , sch.40	6	ea
42	PVC Pipe, 3/4" x20ft, sch. 40	2	ea
43	PVC Pipe, 3"Ø x 20ft, Sched 40	6	ea
44	PVC Tee, 3" dia., sch. 40	6	ea
45	PVC Union 3/4", sch. 40	2	ea
46	Quikrete Concrete Mix Product No. 1101, 80lbs/bag	3001	bag
47	Rebar#3, 3/8"GRD60 L20' epoxy coated	480	ea



DISASTER PREPAREDNESS FOR EFFECTIVE RESPONSE (PREPARE) PROGRAM
TYPHOON MAYSAK RECONSTRUCTION PROJECT (TMRP)
Repair/Reconstruction of Public Infrastructure and Utilities Project (RPIUP)



Region: Northwest Islands
Location: Onary; Piherarh
Project Name: Onary Community Hall (CI107); Piherarh Elementary School (CI115)

ITEM	DESCRIPTION	QTY	UNIT
48	Rebar#4, ½"GRD60 L20', epoxy coated	250	ea
49	Rebar#5, 5/8"GRD60 L20', epoxy coated	836	ea
50	Rivets, blind, 3/16"Ø x 1/8" grip; SS	16	box
51	Roof Gutter Strainer or Drain round wire or dome type	16	ea
52	Screen wire, .007" opening , aluminum	16	ft
53	Sealant, Silicone	4	tube
54	Simpson strong tie, H5SS (Left=522pcs, Right=522pcs)	1044	ea
55	Tie wire, G.I, Ga. 16, epoxy coated	48	lbs
56	Water tank, 1000gals with 3/4" adapter and lid	2	ea
57	Welded wire mesh 1" x 1" 6mm diameter	96	ft
58	Wood Preservative, Copper Green	2	gal

Prepared by:


Ralph Michael V. Silerio
Field Reconstruction Engineer



**DISASTER PREPAREDNESS FOR EFFECTIVE RESPONSE (PREPARE) PROGRAM
TYPHOON MAYSAK RECONSTRUCTION PROJECT (TMRP)**

Repair/Reconstruction of Public Infrastructure and Utilities Project (RPIUP)



Region: Mortlocks
 Location: Nama
 Project: Nama Council Office (CI121); Nama Fiise School Office (CI124); Lukan Junior High School-
 Name: Agriculture Room (CI126A); Lukan Junior High School-Cafeteria (CI126B)

ITEM	DESCRIPTION	QTY	UNIT
1	Door, Hinges, Loose Pin, Stainless Steel, 4"	42	ea
2	Plywood, PT T1-11, 5/8" thick	94	ea
3	PVC Female adapter, 3/4", sch. 40	8	ea
4	Bar, Angle, 1/4"x 1 1/2" x 1 1/2" x 20ft, HDG with pre punch hole (see attached drawing)	30	ea
5	Cement, 40kg	33	bag
6	Corrugated Galvalume Roofing Sheet, 32"x 10ft L, ga. 26, Prepainted (Navy Blue)	334	ea
7	Door, Hollow Core, 32"x80", with 2"x6" jamb	14	set
8	Door, lockset, Std. Kwikset, Stainless	14	ea
9	Bolt, Expansion, 1/2" x 4" long, SS	48	ea
10	Faucet, Brass, 3/4"	4	ea
11	Pre-fabricated Flat Bar, 1" x 16 1/2" x 1/4" thk, HDG (gutter bracket) see attached drawing (Qty=247pcs)	247	ea
12	Pre-fabricated Flat Bar, 2" x 16" x 1/4" thk, HDG (beam strap) see attached drawing (Qty=200pcs)	200	ea
13	Pre-fabricated GI Box Gutter 24" x 8', GA 26, prepainted, Navy Blue (see plan)	73	ea
14	Pre-fabricated GI Ridge Cap 24" x 8', GA 26, prepainted, Navy Blue (see plan)	56	ea
15	J-bolt, 1/4" x 6" x 2" x 2" x 2", w/ lock nut and washer SS (See plan)	990	ea
16	Lumber, treated, 1" x 2" x 16ft	106	ea
17	Machine Bolt, 1/2" x 6 1/2", with lock nut and 2 washers, HDG	45	ea
18	Lumber, treated, 2" x 2" x 16ft	715	ea
19	Lumber, treated, 2" x 4" x 16ft	481	ea
20	Lumber, treated, 2" x 6" x 16ft	399	ea
21	Lumber, treated, 6" x 6" x 16ft	7	ea
22	Machine Bolt, 1/2" x 6 1/2", with 2pcs. washer and 2 pcs. nuts, HDG	212	ea
23	Machine Bolt, 1/2" x 7", with 2pcs. washer and 2 pcs. nuts, HDG	16	ea
24	Machine Bolt, 1/2" x 8", with 2pcs. washer and 2 pcs. nuts, HDG	192	ea
25	Nails, Common, 1 1/2" (4D), HDG	217	lbs
26	Nails, Common, 1" (2D), HDG	26	lbs
27	Nails, Common, 2" (6D), HDG	20	lbs
28	Nails, Common, 3" (10D), HDG	1,055	lbs
29	Nails, Common, 4" (20D), HDG	28	lbs
30	Nails, SSN8, 1 1/2" (4D)	166	lbs
31	Nails, umbrella with shank, 2 1/2", G.I. with rubber washer	330	lbs
32	PVC cement, 16oz.	4	ea
33	Paint Brush, 2"	18	ea
34	Paint roller, 6", with handle and tray	7	ea
35	Paint, Flatwall Enamel (White)	10	gal
36	Paint, Flat Latex (white)	10	gal
37	Paint, Enamel (Interior), semi-gloss, Biege	56	gal
38	Paint, Latex, Semi-gloss (Exterior), Biege	27	gal
39	Paint, Latex, Semi-gloss (Baseboard), Brown	8	gals
40	Plywood, Phenolic, 1/2" thick	90	ea
41	Plywood, Reg Grade 1/4", ACX (exterior grade)	118	ea
42	Plywood, Reg. Grade 1/2", ACX (exterior grade)	154	ea
43	Polyethelene Sheets, 6mils (20' x 100')	1	roll
44	Pre-fabricated column strap, refer to plan for details	24	ea
45	Pre-fabricated strap with 45 deg bend, refer to plan for details	8	ea
46	Pre-fabricated strap with 90 deg bend, refer to plan for details	64	ea
47	PVC, Elbow 90°, 3/4"Ø, sch.40	8	ea
48	PVC Ball Valve, 3/4", sch. 40	4	ea



**DISASTER PREPAREDNESS FOR EFFECTIVE RESPONSE (PREPARE) PROGRAM
TYPHOON MAYSAK RECONSTRUCTION PROJECT (TMRP)
Repair/Reconstruction of Public Infrastructure and Utilities Project (RPIUP)**

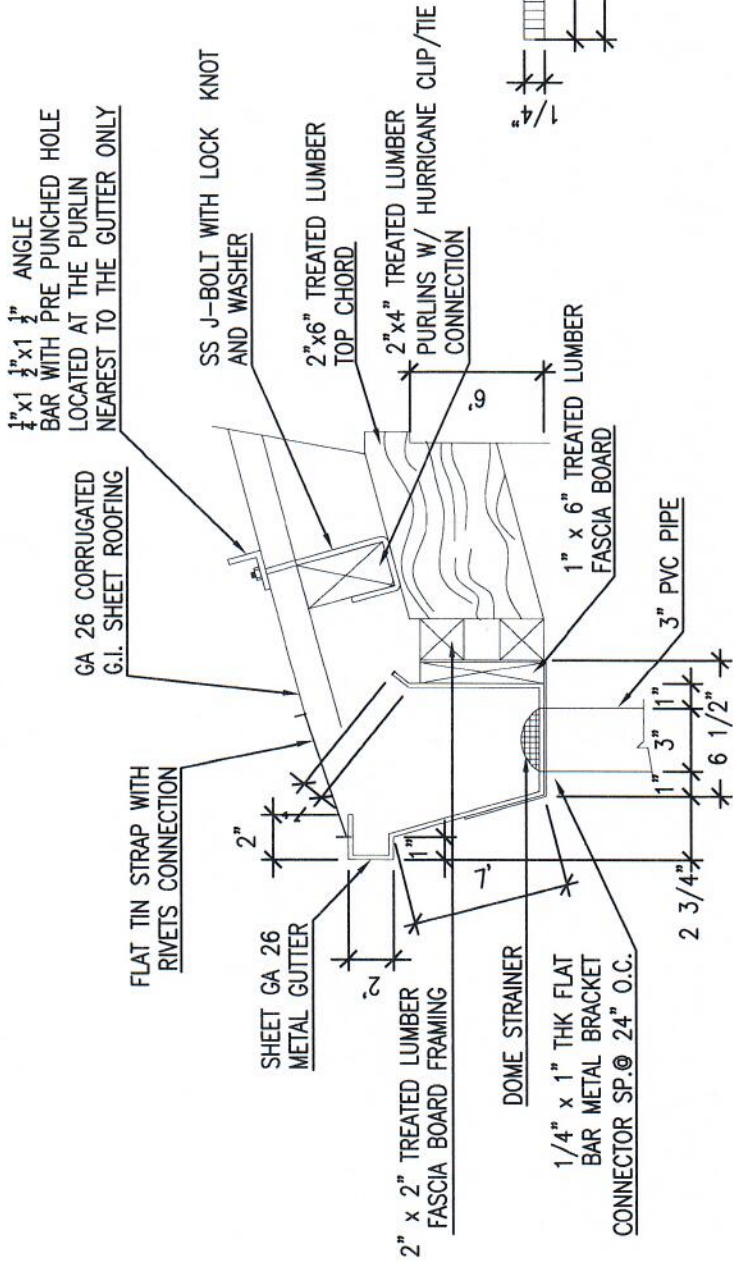


Region: Mortlocks
 Location: Nama
 Project: Nama Council Office (CI121); Nama Fiise School Office (CI124); Lukan Junior High School-
 Name: Agriculture Room (CI126A); Lukan Junior High School-Cafeteria (CI126B)

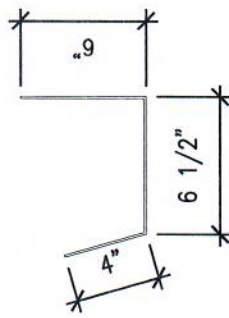
ITEM	DESCRIPTION	QTY	UNIT
49	PVC, Elbow 90°, 3"Ø, sch.40	28	ea
50	PVC Pipe, 3/4" x20ft, sch. 40	4	ea
51	PVC Pipe, 3"Ø x 20ft, Sched 40	22	ea
52	PVC, Tee, 3"Ø, sch.40	24	ea
53	PVC Union 3/4", sch. 40	4	ea
54	Quikrete Concrete Mix Product No. 1101, 80lbs/bag	2,326	bag
55	Rebar#3, 3/8"GRD60 L20', epoxy coated	455	ea
56	Rebar#4, 1/2"GRD60 L20', epoxy coated	185	ea
57	Rebar#5, 5/8"GRD60 L20', epoxy coated	702	ea
58	Rivets, blind, 3/16"Ø x 1/8" grip; SS	21	box
59	Roof Gutter Strainer or Drain round wire or dome type	20	ea
60	Screen wire, .007" opening, aluminum	32	ft
61	Sealant, Silicone	8	tube
62	Simpson strong tie, H5SS (Left=740pcs, Right=740pcs)	1,480	ea
63	Tie wire, G.I, Ga. 16, epoxy coated	48	lbs
64	Water Sealant	3	gal
65	Water tank, 1000gals with 3/4" adapter and lid	4	ea
66	Welded wire mesh 1" x 1" 6mm diameter	156	ft
67	Wire Mesh (6"x6"x7'x100')	1	roll
68	Wood Preservative, Copper Green	8	gal

Prepared by:

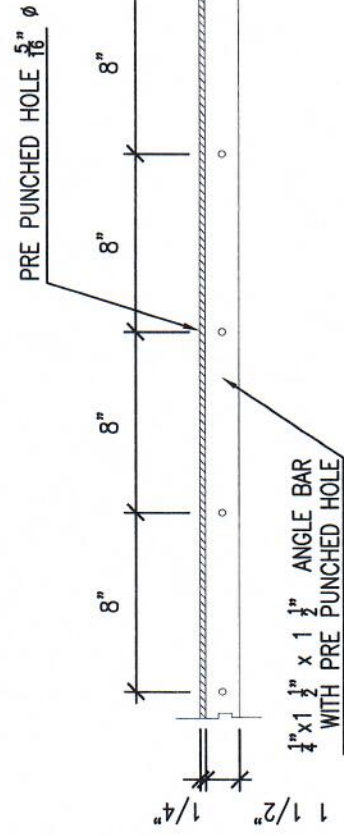

 Ralph Michael V. Silerio
 Field Reconstruction Engineer



PRE-FABRICATED METAL GUTTER & METAL BRACKET CONNECTION DETAILS

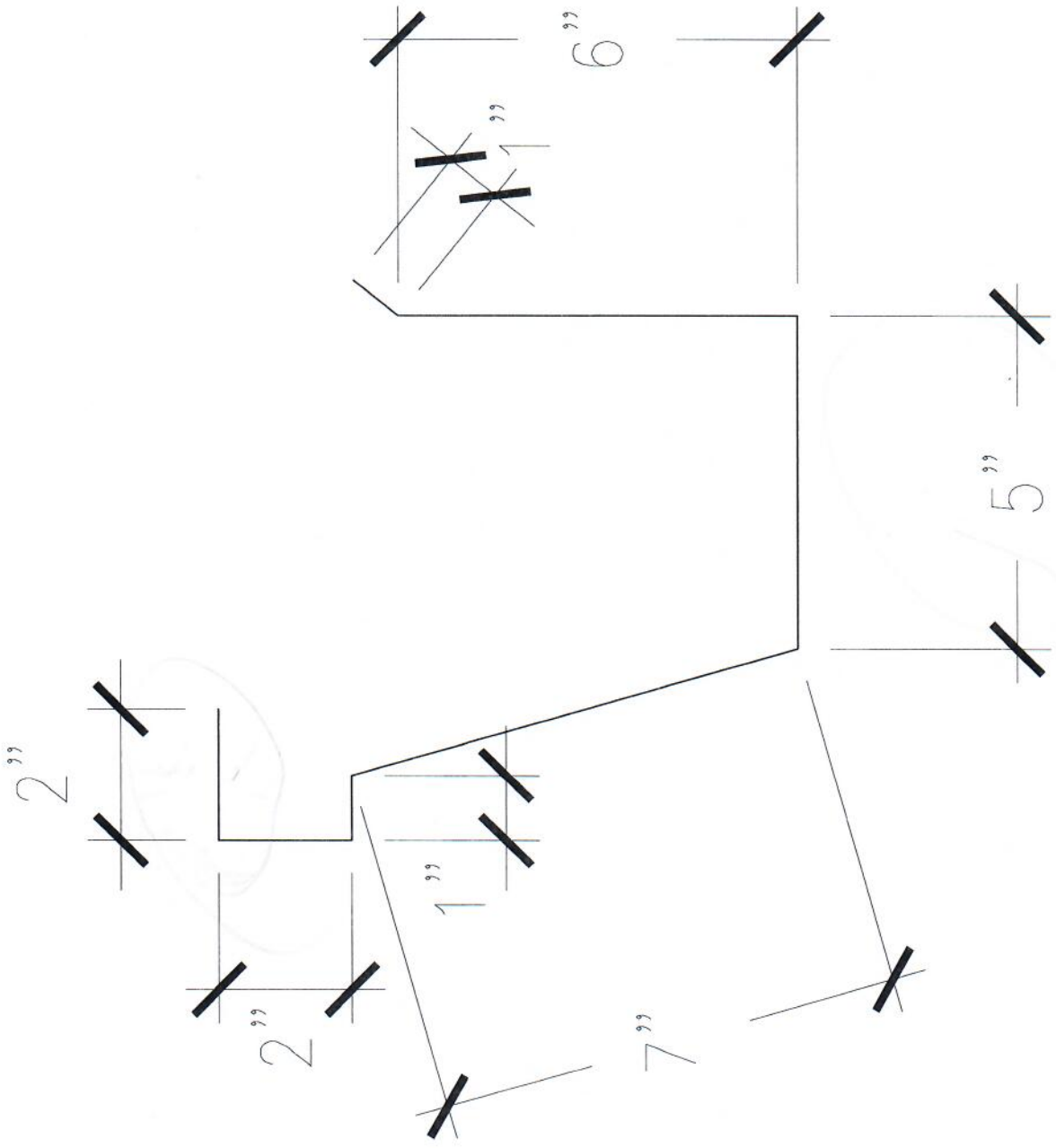


1/4" x 1" FLAT BAR METAL BRACKET CONNECTOR



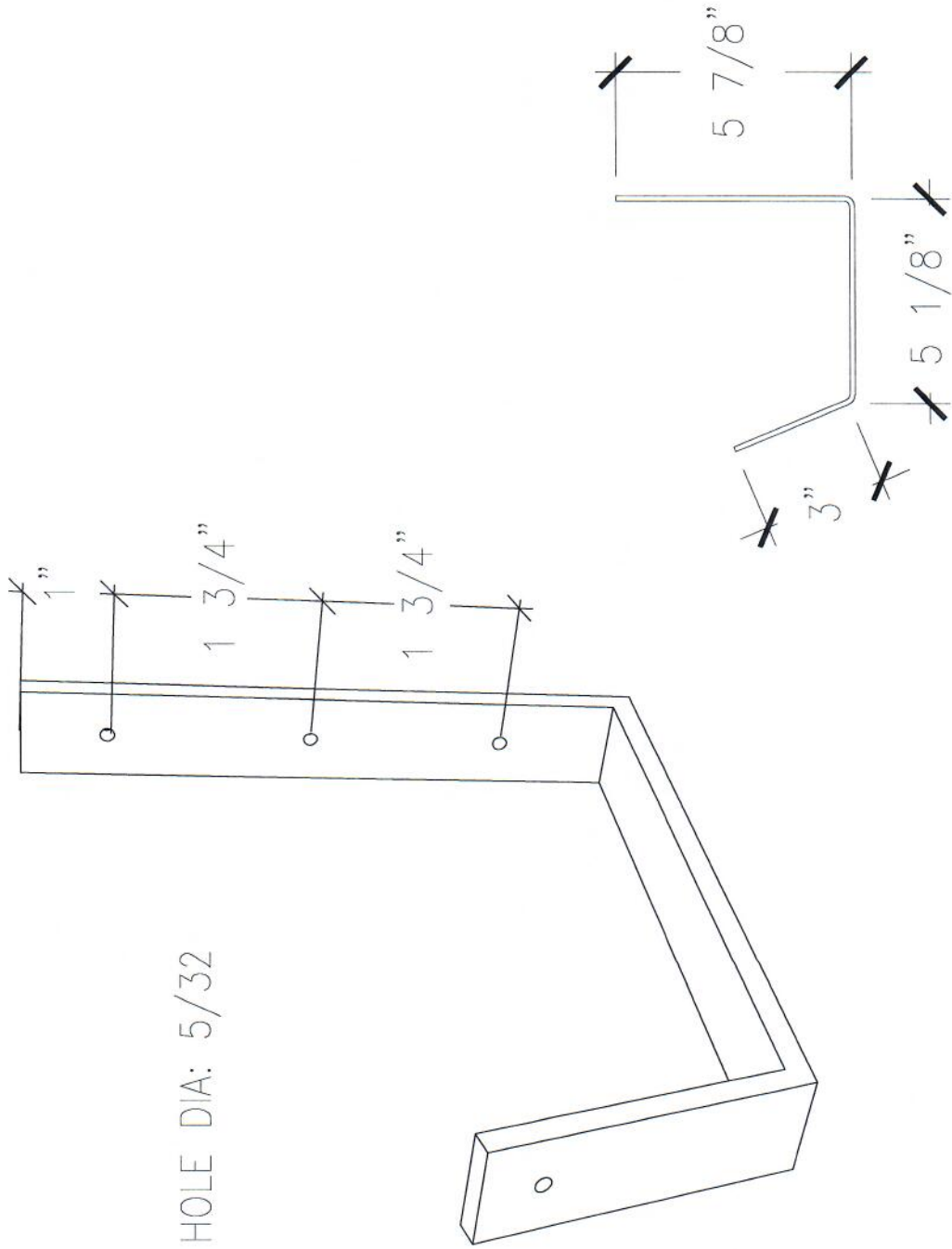
ANGLE BAR W/ PRE PUNCHED HOLE DETAILS

 UNITED STATES AGENCY FOR INTERNATIONAL DEVELOPMENT INTERNATIONAL ORGANIZATION FOR MIGRATION <small>FROM THE AMERICAN PEOPLE</small>	 IOM • OIM	APPROVALS: FIELD ENGINEER: _____ DRAWN BY: _____ RECOM. FOR APPROVAL: _____ APPROVED BY CHIEF OF PARTY: _____	NAME: R/M/S: _____ JAMU/OH/DOTAH: _____ ANACITO LUCENA: _____ NATHAN MICHAEL GLANCY: _____ PROG. MANAGER: _____	SIGNATURE: _____ DATE: _____	AMMENDMENTS: DATE: _____ NOTE: _____	DRAWING TITLE: NC & REPAIRS FOR P.I. DETAILS SHEET CONTENT: AS SHOWN	SHEET NO: DT 4/4
---	----------------------	---	--	---------------------------------	--	---	------------------------

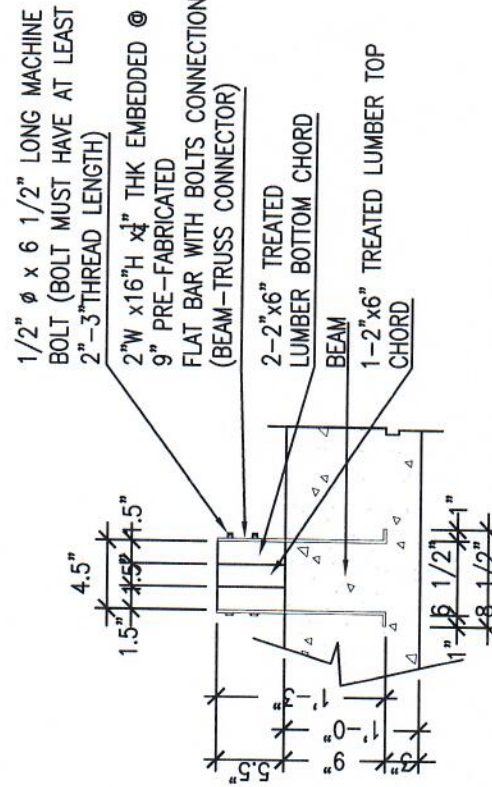
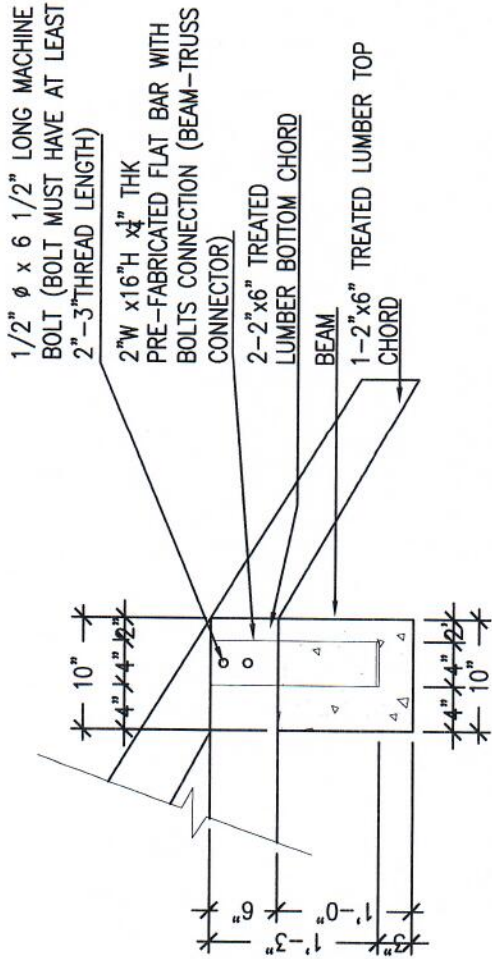


24" GUTTER PROFILE

HOLE DIA: 5/32

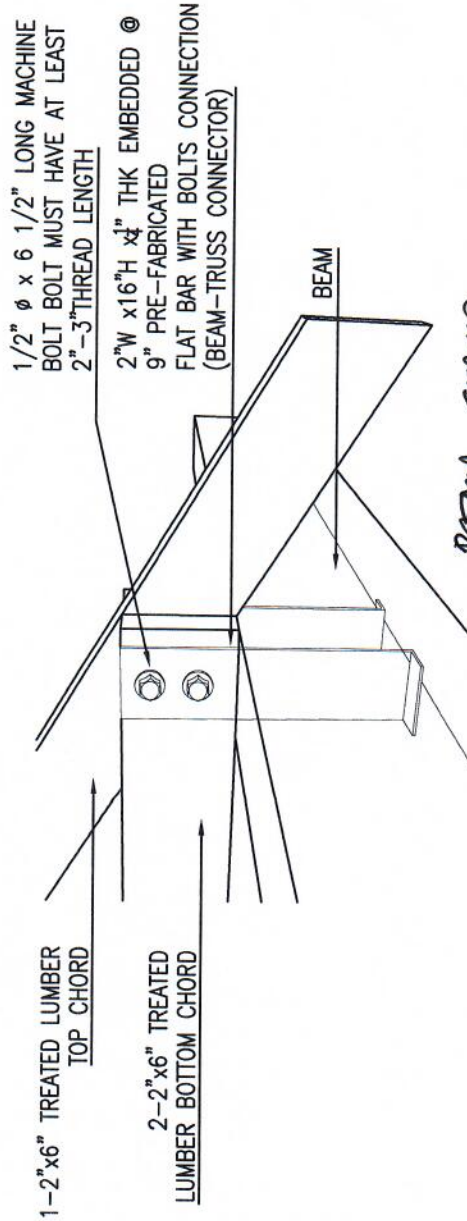


GUTTER BRACKET PROFILE





TRUSS-BEAM CONNECTION DETAILS (10" x 10" BEAM)
FRONT VIEW SCALE: 3/4" = 1'-0"

TRUSS-BEAM CONNECTION DETAIL
FRONT VIEW SCALE: 3/4" = 1'-0"



BEAM STRAP
PERSPECTIVE

 USAID FROM THE AMERICAN PEOPLE	UNITED STATES AGENCY FOR INTERNATIONAL DEVELOPMENT INTERNATIONAL ORGANIZATION FOR MIGRATION	 IOM • OIM	APPROVALS: FIELD ENGINEER: _____ DRAWN BY: JAKLI OHHDTAH RECOM. FOR APPROVAL: ANACITO LUCENA APPROVED BY CHIEF OF PARTY: NATHAN MICHAEL GIANCY - PROG. MANAGER	NAME: RIVS DATE: _____	SIGNATURE: _____ DATE: _____	AMMENDMENTS: DATE: _____ NOTE: _____	DRAWING TITLE: NC & REPAIRS FOR P.I. DETAILS SHEET CONTENT: AS SHOWN	SHEET NO. DT 2/4
			SHEET NO. AS SHOWN					